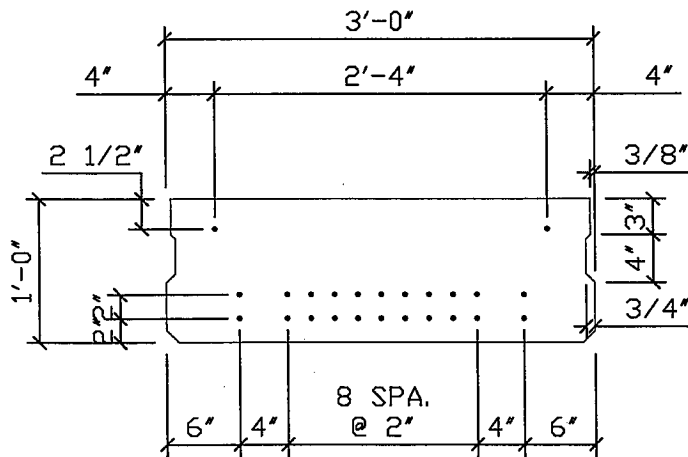
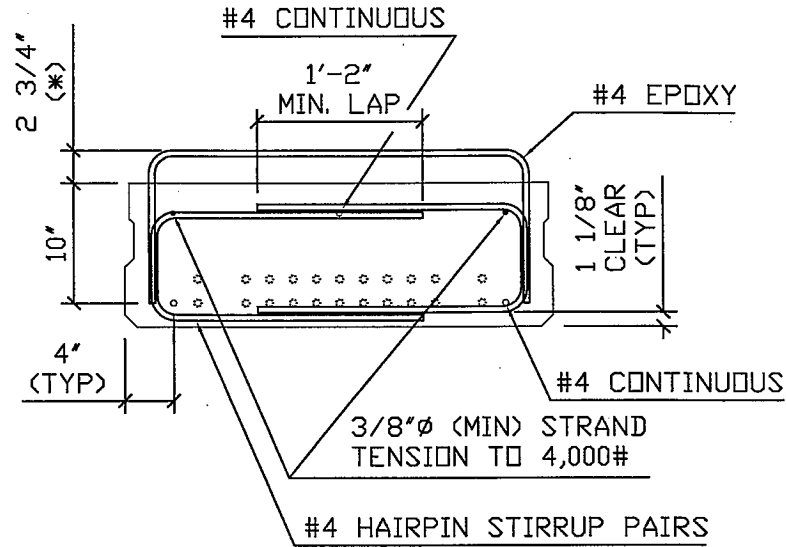


12" x 36" BOX BEAM

(* USE 6" FOR SPREAD BOX BEAMS.



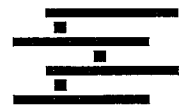
ELIMINATE KEYWAY FASCIA SIDE OF FASCIA BEAMS.

ELIMINATE KEYWAY BOTH SIDES FOR SPREAD BOX BEAMS.

• POSSIBLE STRAND LOCATIONS DEPENDING ON DESIGN

STRESS-CON INDUSTRIES, INC.

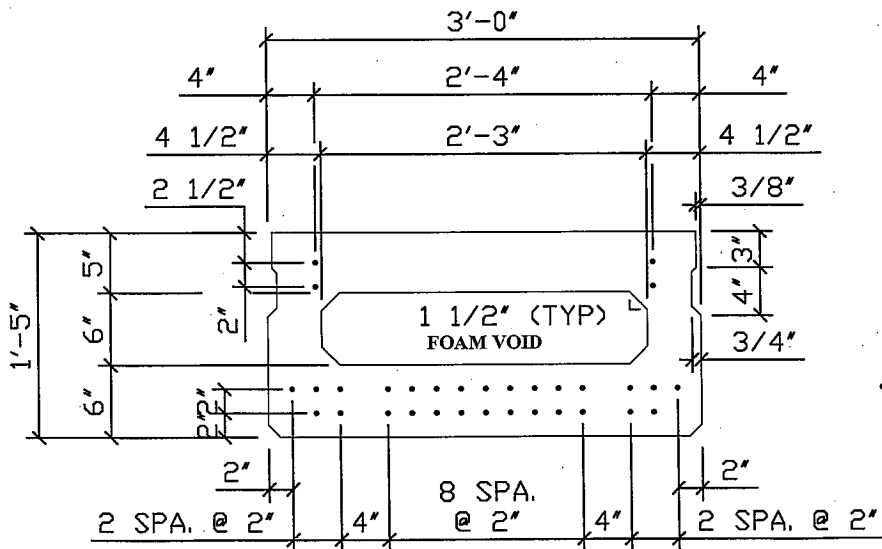
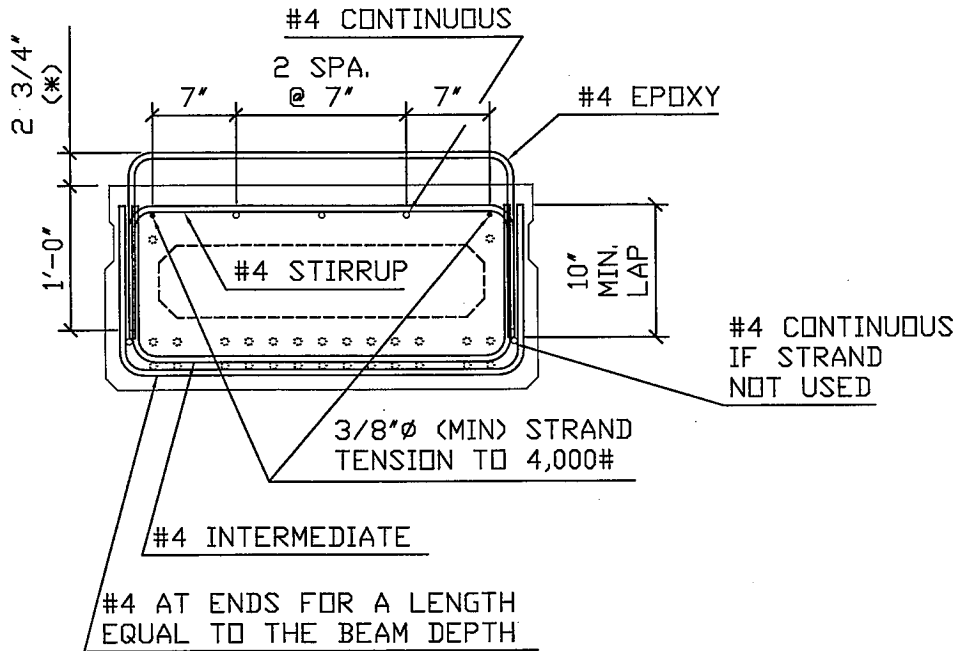
MAIN OFFICE:
 50500 DESIGN LANE TEL: (586) 731-1628
 SHELBY TOWNSHIP, MI 48315 FAX: (586) 731-7007
 WWW.STRESSCONINDUSTRIES.COM



BB 12" x 36"

17" x 36" BOX BEAM

(*) USE 6" FOR SPREAD BOX BEAMS.



ELIMINATE KEYWAY FASCIA SIDE OF FASCIA BEAMS.

ELIMINATE KEYWAY BOTH SIDES FOR SPREAD BOX BEAMS.

• POSSIBLE STRAND LOCATIONS DEPENDING ON DESIGN

STRESS-CON INDUSTRIES, INC.

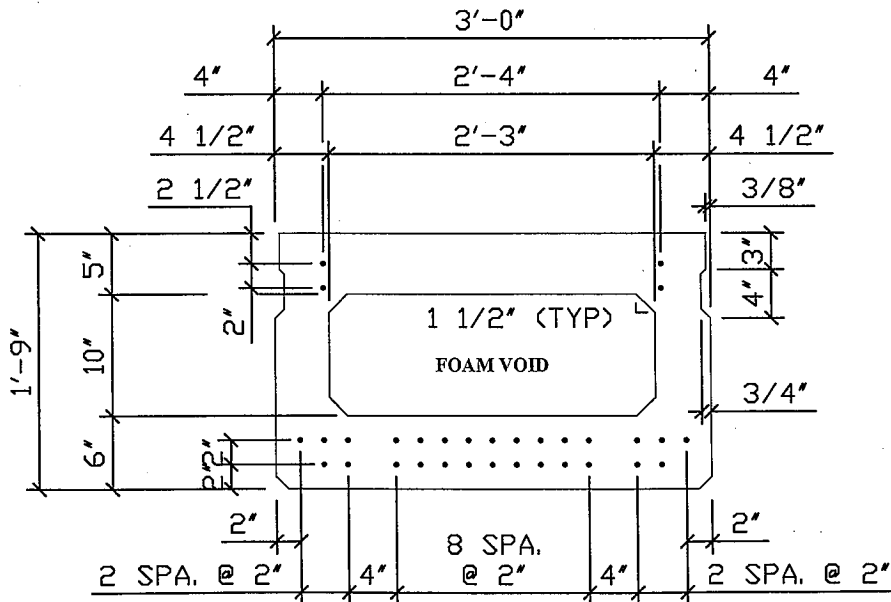
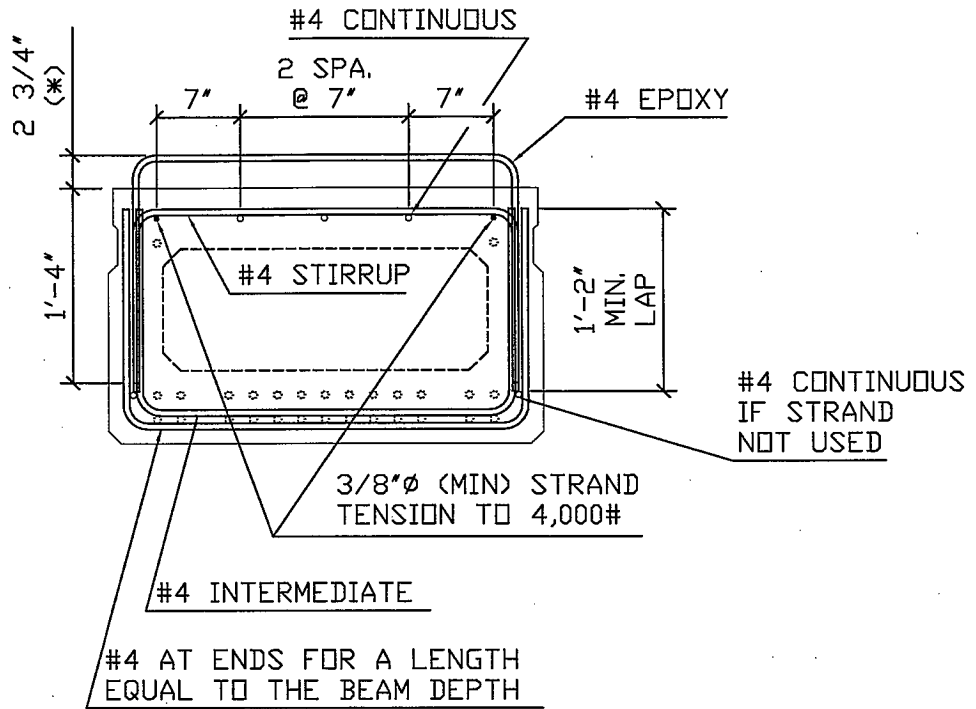
MAIN OFFICE:
50500 DESIGN LANE TEL: (586) 731-1628
SHELBY TOWNSHIP, MI 48315 FAX: (586) 731-7007
WWW.STRESSCONINDUSTRIES.COM



BB 17" x 36"

21" x 36" BOX BEAM

(*) USE 6" FOR SPREAD BOX BEAMS.



ELIMINATE KEYWAY FASCIA SIDE OF FASCIA BEAMS.

ELIMINATE KEYWAY BOTH SIDES FOR SPREAD BOX BEAMS.

• POSSIBLE STRAND LOCATIONS DEPENDING ON DESIGN

STRESS-CON INDUSTRIES, INC.

MAIN OFFICE:

50500 DESIGN LANE

SHELBY TOWNSHIP, MI 48315

TEL: (586) 731-1628

FAX: (586) 731-7007

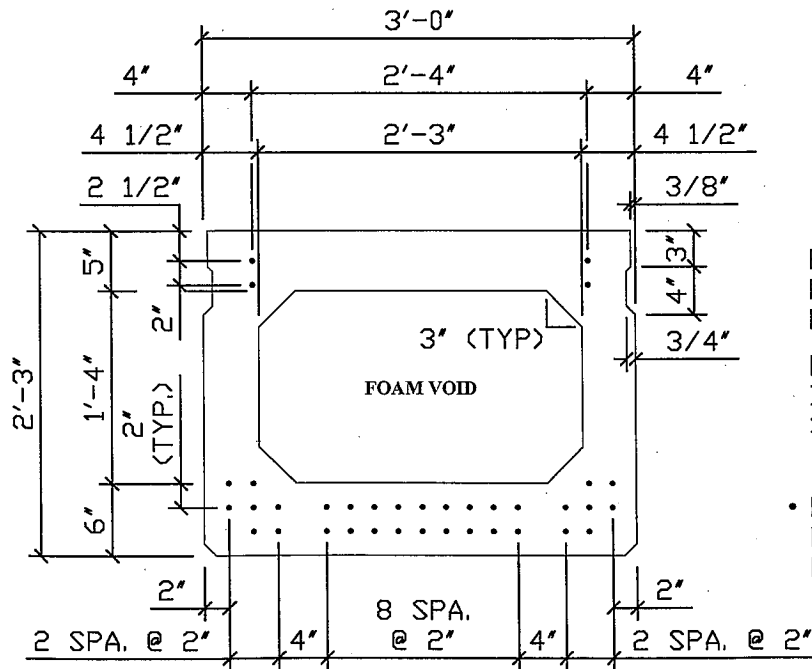
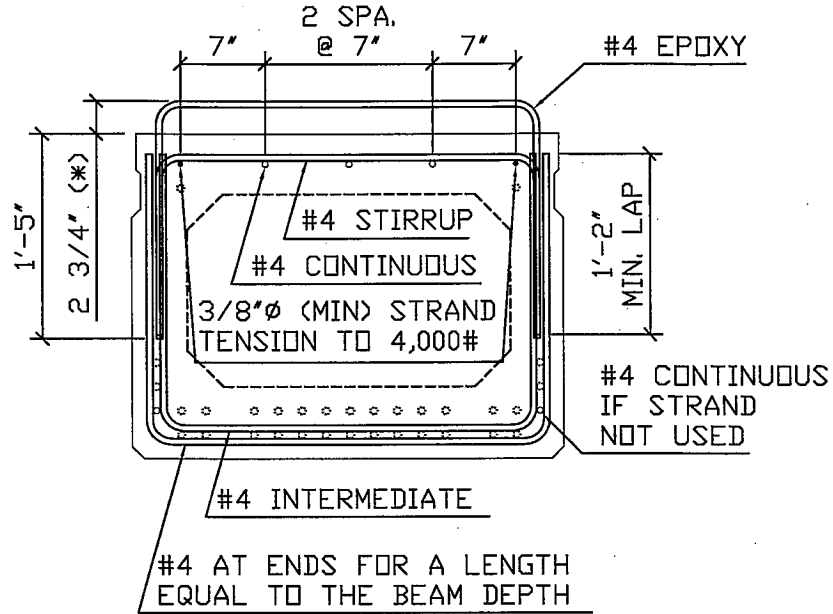
WWW.STRESSCONINDUSTRIES.COM



BB 21" x 36"

27" x 36" BOX BEAM

(*) USE 6" FOR SPREAD BOX BEAMS.



ELIMINATE KEYWAY FASCIA SIDE OF FASCIA BEAMS.

ELIMINATE KEYWAY BOTH SIDES FOR SPREAD BOX BEAMS.

• POSSIBLE STRAND LOCATIONS DEPENDING ON DESIGN

STRESS-CON INDUSTRIES, INC.

MAIN OFFICE:

50500 DESIGN LANE

SHELBY TOWNSHIP, MI 48315

WWW.STRESSCONINDUSTRIES.COM

TEL: (586) 731-1628

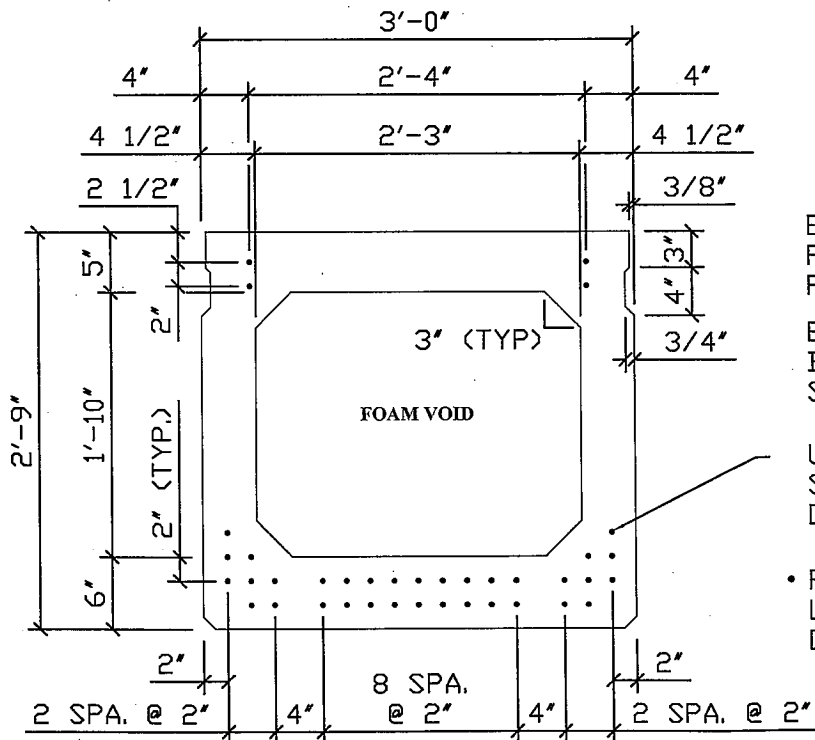
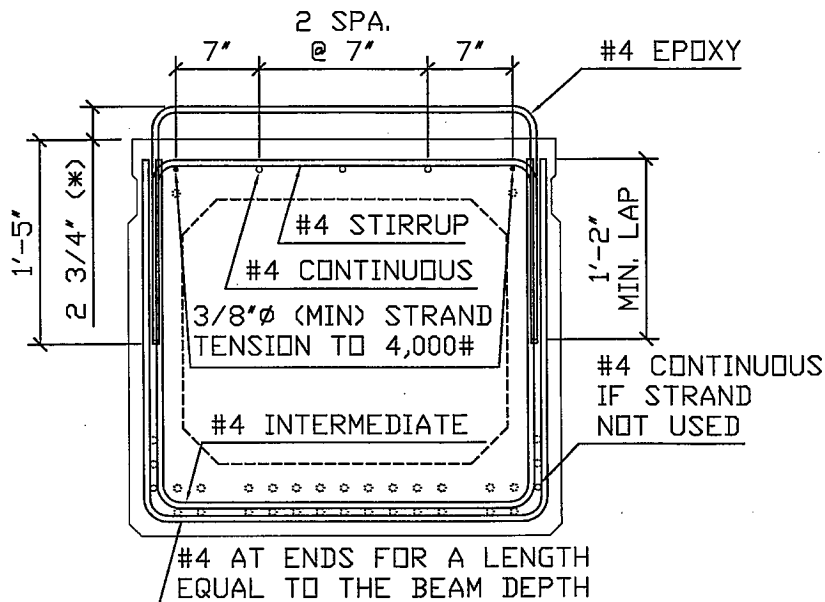
FAX: (586) 731-7007



BB 27" x 36"

33" x 36" BOX BEAM

(*) USE 6" FOR SPREAD BOX BEAMS.



ELIMINATE KEYWAY FASCIA SIDE OF FASCIA BEAMS.

ELIMINATE KEYWAY BOTH SIDES FOR SPREAD BOX BEAMS.

USE WITH 33" SPREAD BOX BEAMS ONLY.

• POSSIBLE STRAND LOCATIONS DEPENDING ON DESIGN

STRESS-CON INDUSTRIES, INC.

MAIN OFFICE:

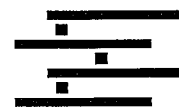
50500 DESIGN LANE

SHELBY TOWNSHIP, MI 48315

WWW.STRESSCONINDUSTRIES.COM

TEL: (586) 731-1628

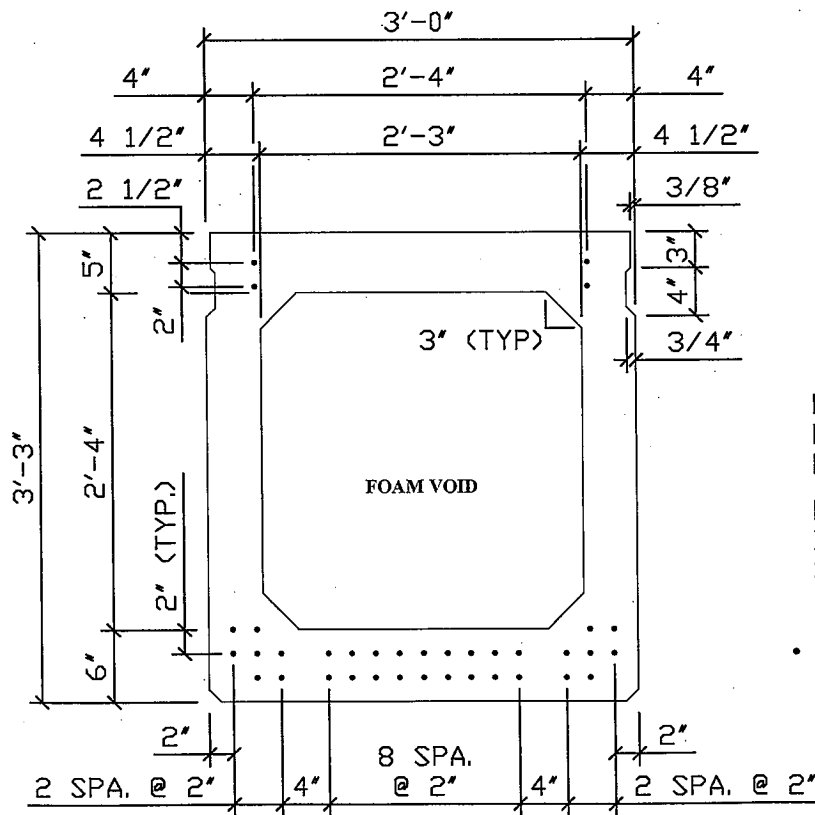
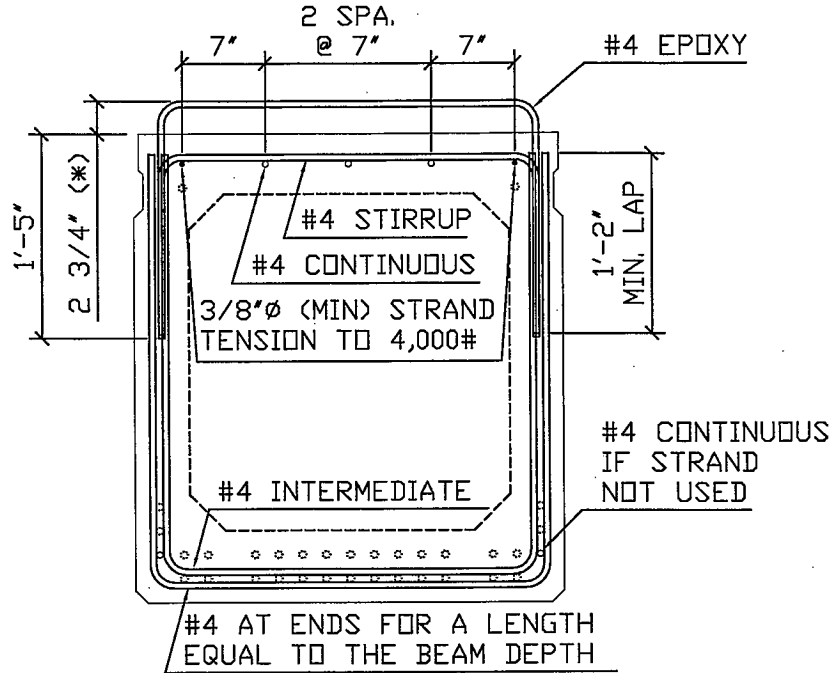
FAX: (586) 731-7007



BB 33" x 36"

39" x 36" BOX BEAM

(*) USE 6" FOR SPREAD BOX BEAMS.



ELIMINATE KEYWAY FASCIA SIDE OF FASCIA BEAMS.

ELIMINATE KEYWAY BOTH SIDES FOR SPREAD BOX BEAMS.

• POSSIBLE STRAND LOCATIONS DEPENDING ON DESIGN

STRESS-CON INDUSTRIES, INC.

MAIN OFFICE:

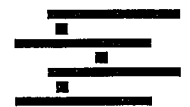
50500 DESIGN LANE

SHELBY TOWNSHIP, MI 48315

WWW.STRESSCONINDUSTRIES.COM

TEL: (586) 731-1628

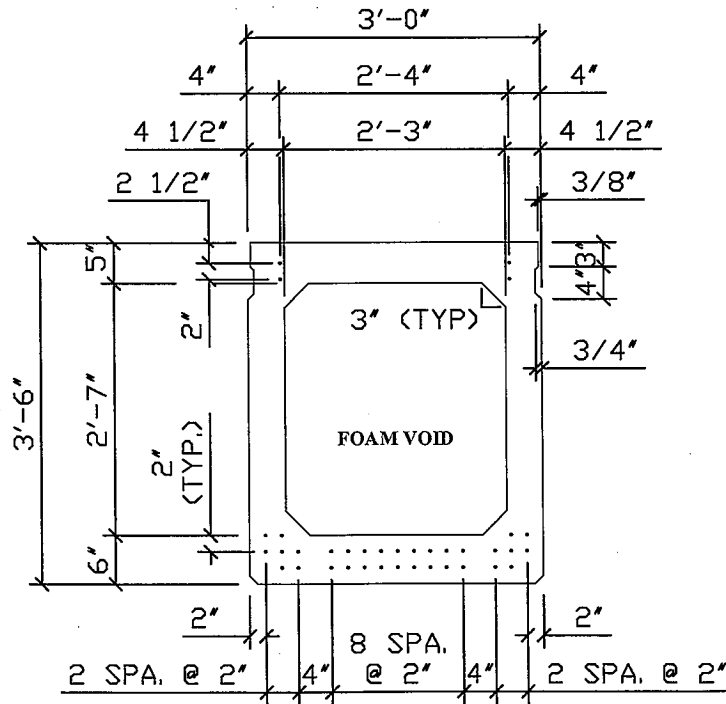
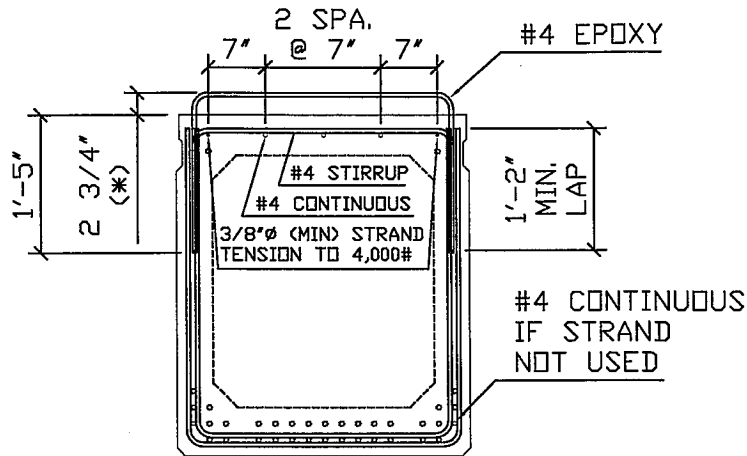
FAX: (586) 731-7007



BB 39" x 36"

42" x 36" BOX BEAM

(*) USE 6" FOR SPREAD BOX BEAMS.



ELIMINATE KEYWAY FASCIA SIDE OF FASCIA BEAMS.

ELIMINATE KEYWAY BOTH SIDES FOR SPREAD BOX BEAMS.

- POSSIBLE STRAND LOCATIONS DEPENDING ON DESIGN

STRESS-CON INDUSTRIES, INC.

MAIN OFFICE:

50500 DESIGN LANE

SHELBY TOWNSHIP, MI 48315

TEL: (586) 731-1628

FAX: (586) 731-7007

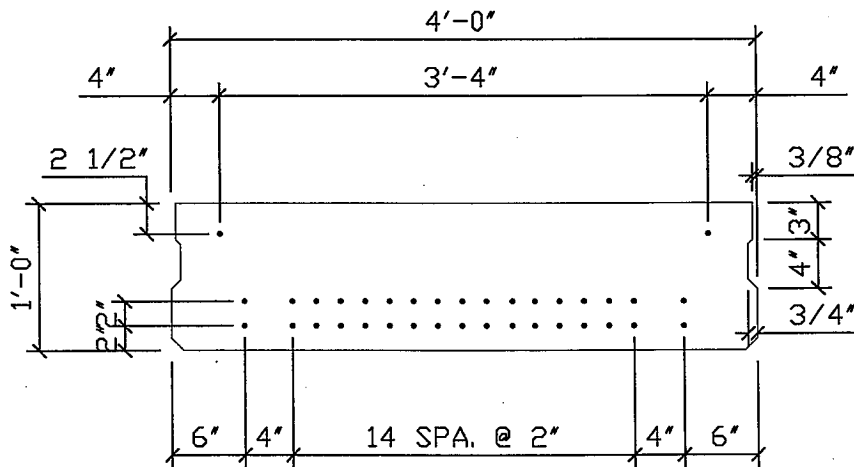
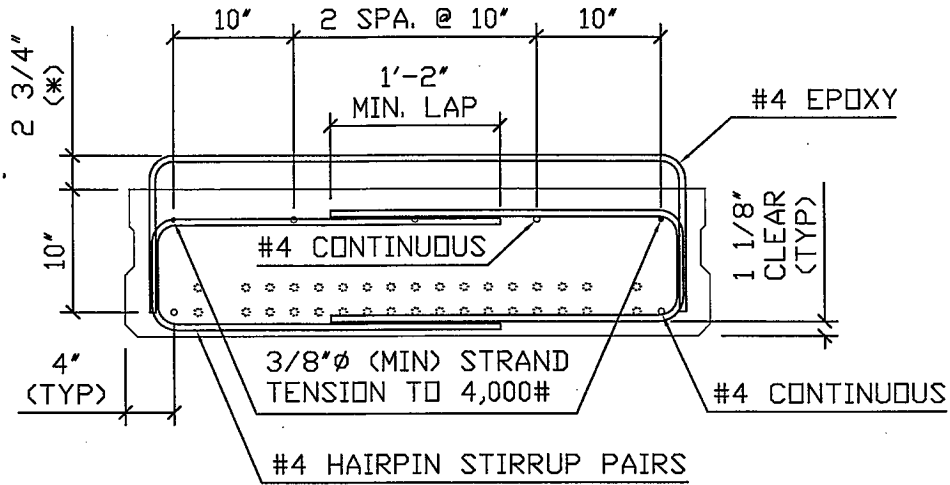
WWW.STRESSCONINDUSTRIES.COM



BB 42" x 36"

12" x 48" BOX BEAM

(* USE 6" FOR SPREAD BOX BEAMS.



ELIMINATE KEYWAY FASCIA SIDE OF FASCIA BEAMS.

ELIMINATE KEYWAY BOTH SIDES FOR SPREAD BOX BEAMS.

• POSSIBLE STRAND LOCATIONS DEPENDING ON DESIGN

STRESS-CON INDUSTRIES, INC.

MAIN OFFICE:
50500 DESIGN LANE
SHELBY TOWNSHIP, MI 48315

TEL: (586) 731-1628
FAX: (586) 731-7007

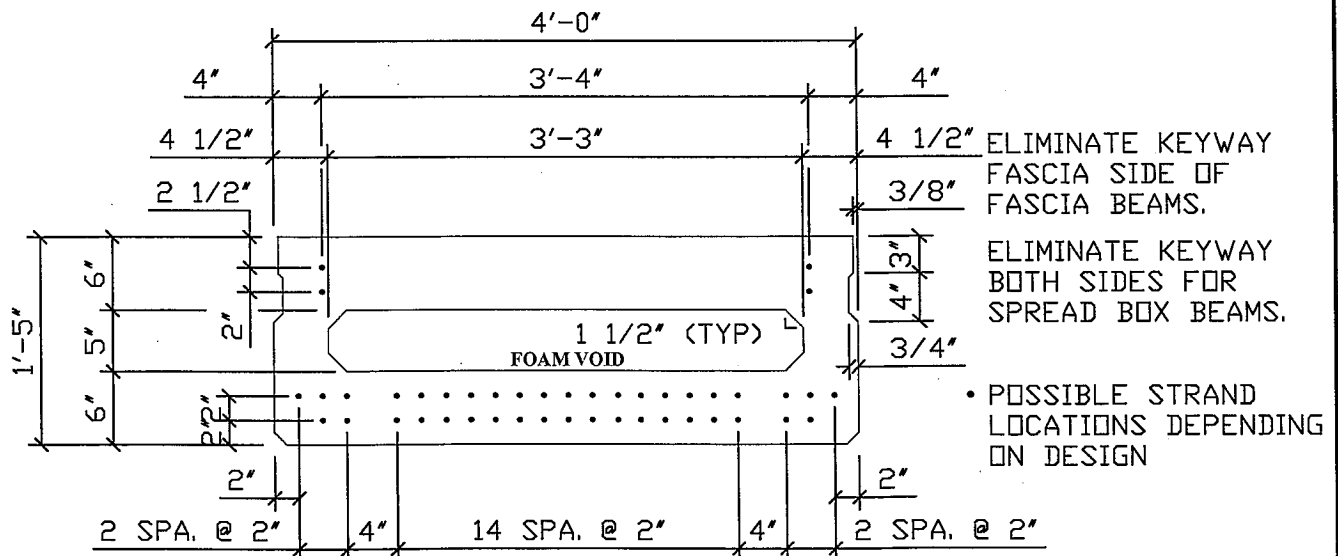
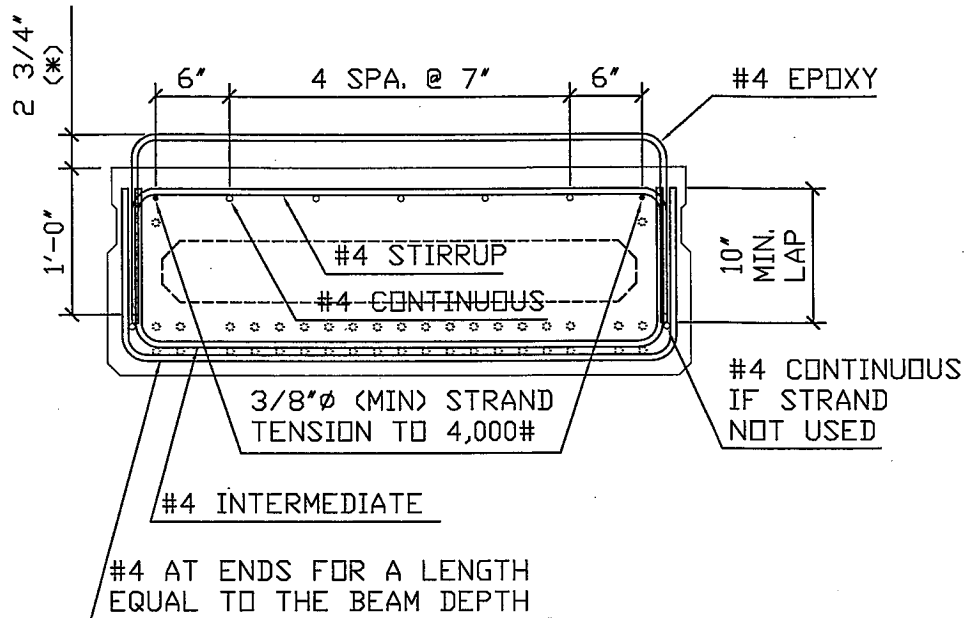
WWW.STRESSCONINDUSTRIES.COM



BB 12" x 48"

17" x 48" BOX BEAM

(*) USE 6" FOR SPREAD BOX BEAMS.



STRESS-CON INDUSTRIES, INC.

MAIN OFFICE:

50500 DESIGN LANE

SHELBY TOWNSHIP, MI 48315

WWW.STRESSCONINDUSTRIES.COM

TEL: (586) 731-1628

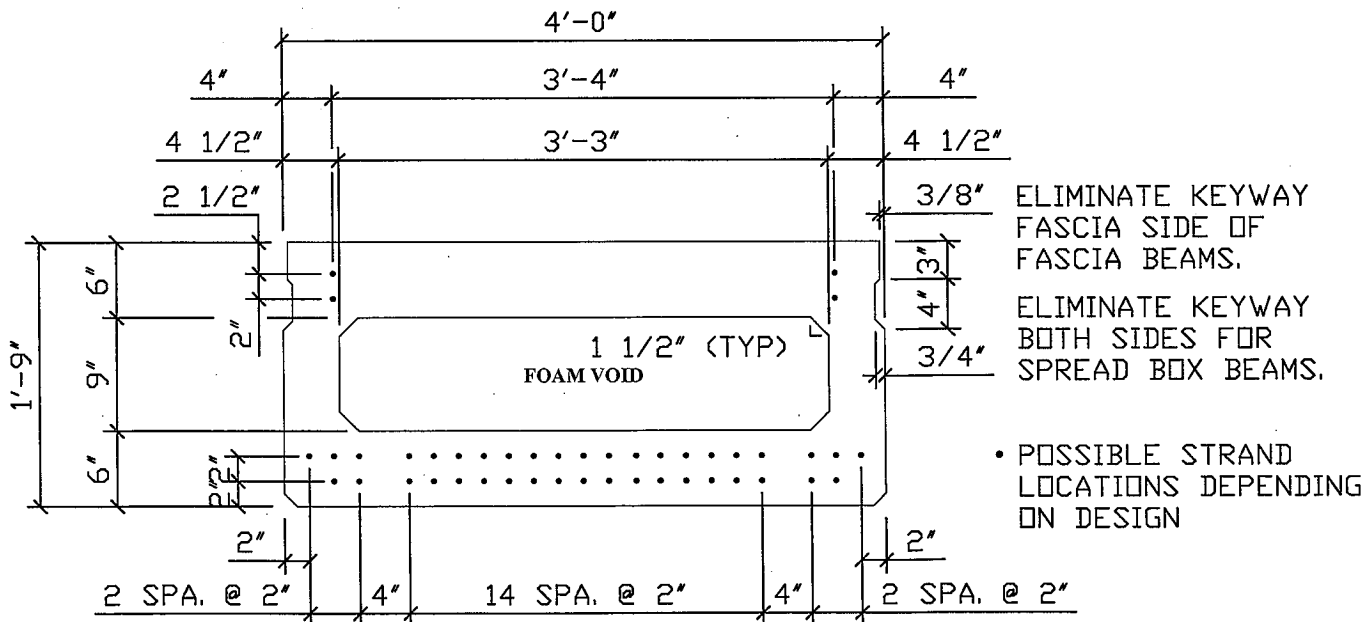
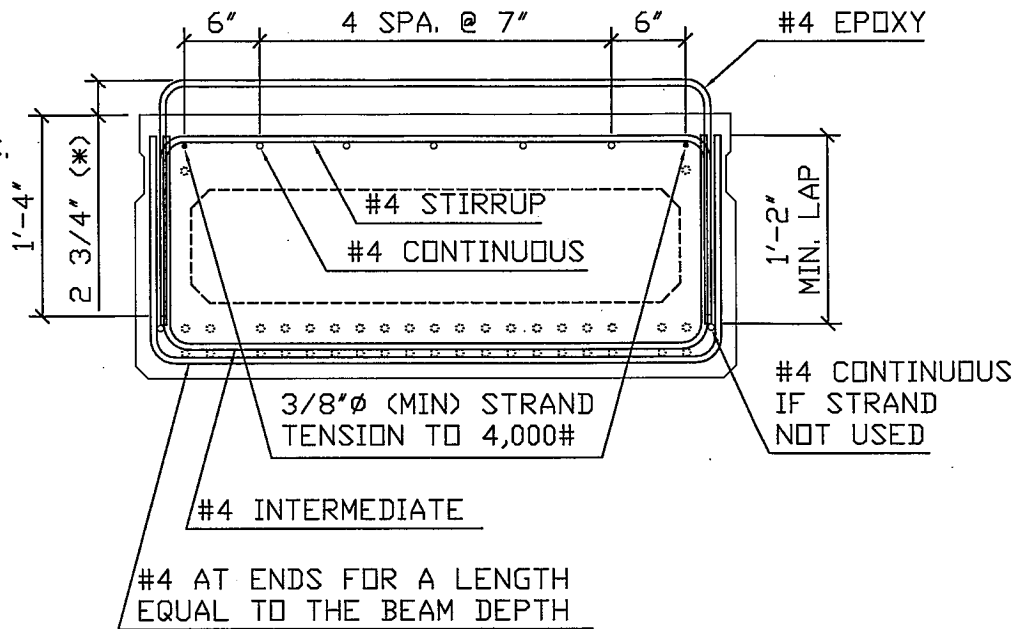
FAX: (586) 731-7007



BB 17" x 48"

21" x 48" BOX BEAM

(*) USE 6" FOR SPREAD BOX BEAMS.



STRESS-CON INDUSTRIES, INC.

MAIN OFFICE:

50500 DESIGN LANE

SHELBY TOWNSHIP, MI 48315

WWW.STRESSCONINDUSTRIES.COM

TEL: (586) 731-1628

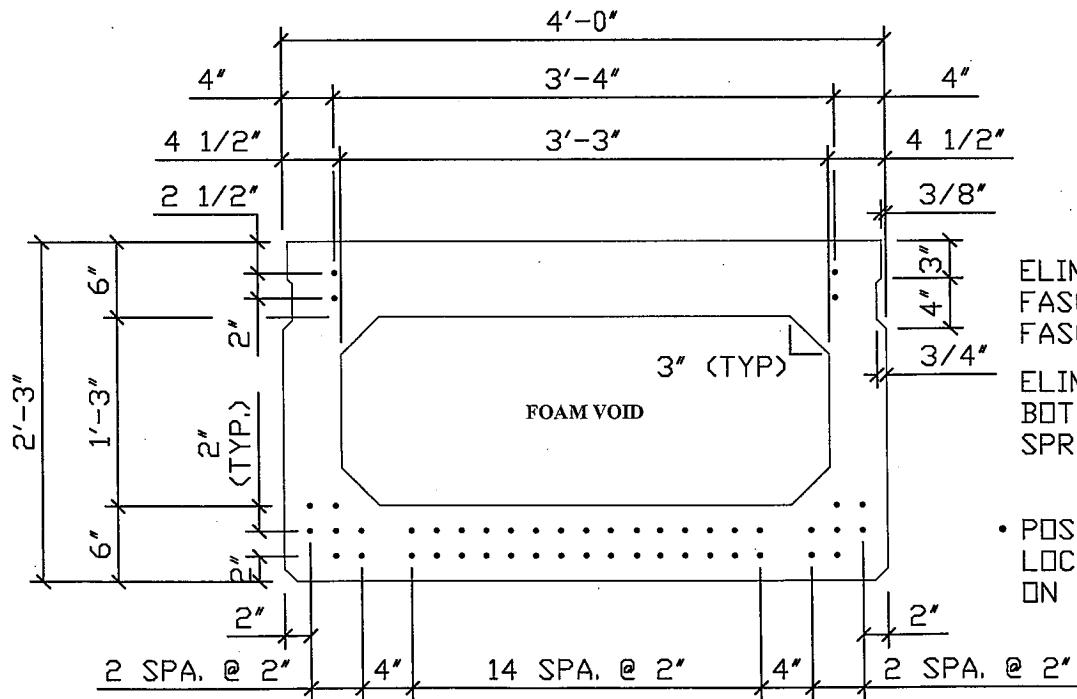
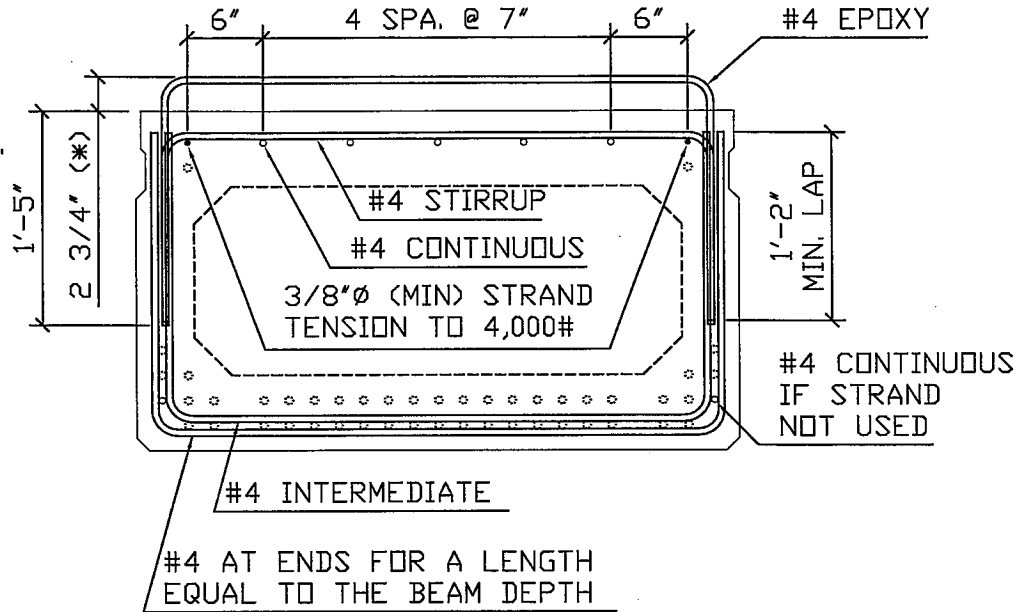
FAX: (586) 731-7007



BB 21" x 48"

27" x 48" BOX BEAM

(*) USE 6" FOR SPREAD BOX BEAMS.



ELIMINATE KEYWAY FASCIA SIDE OF FASCIA BEAMS.

ELIMINATE KEYWAY BOTH SIDES FOR SPREAD BOX BEAMS.

• POSSIBLE STRAND LOCATIONS DEPENDING ON DESIGN

STRESS-CON INDUSTRIES, INC.

MAIN OFFICE:

50500 DESIGN LANE

SHELBY TOWNSHIP, MI 48315

WWW.STRESSCONINDUSTRIES.COM

TEL: (586) 731-1628

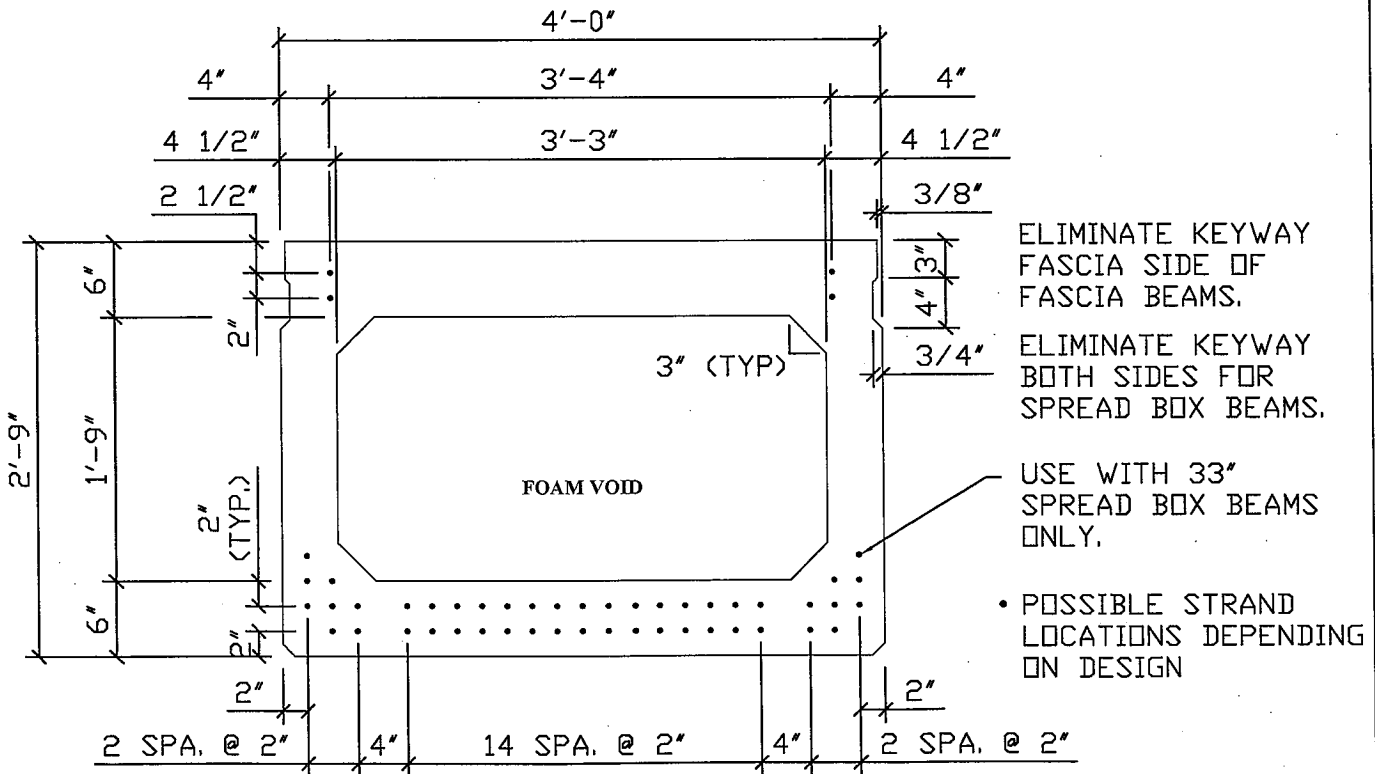
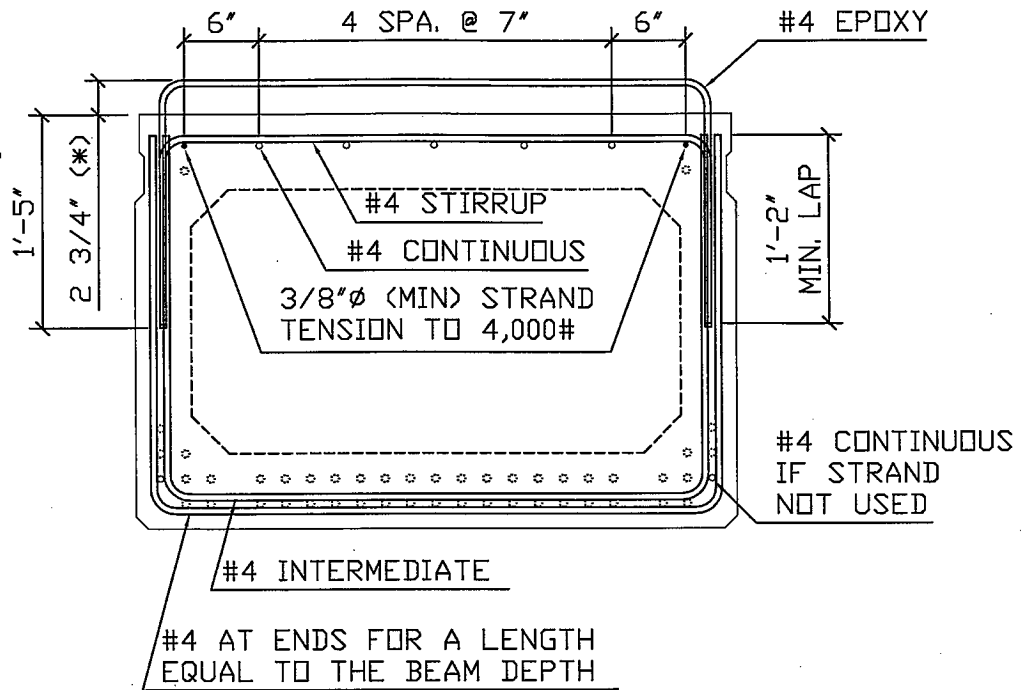
FAX: (586) 731-7007



BB 27" x 48"

33" x 48" BOX BEAM

(*) USE 6" FOR SPREAD BOX BEAMS.



STRESS-CON INDUSTRIES, INC.

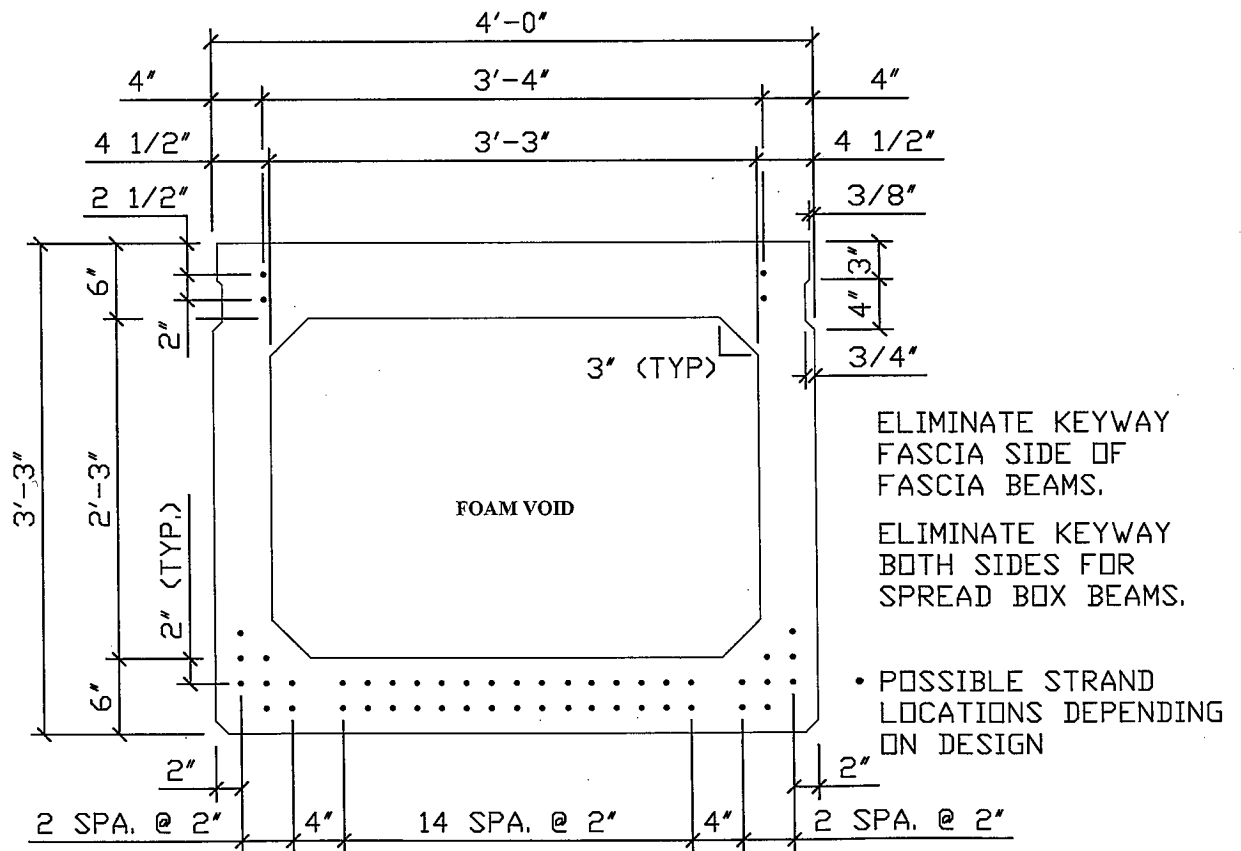
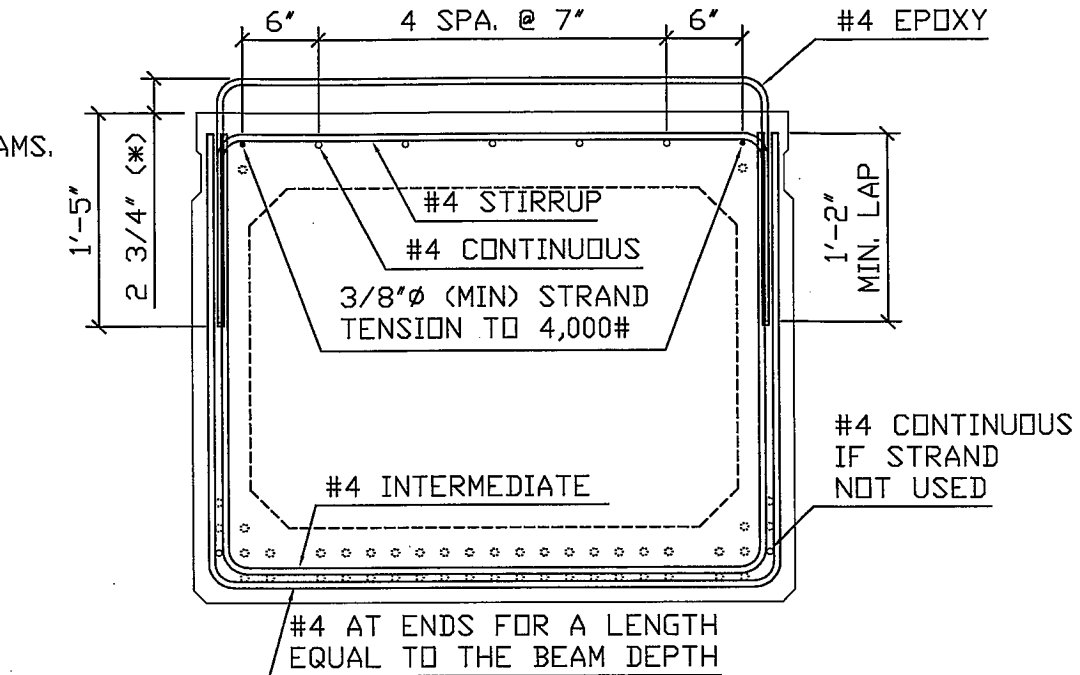
MAIN OFFICE:
 50500 DESIGN LANE TEL: (586) 731-1628
 SHELBY TOWNSHIP, MI 48315 FAX: (586) 731-7007
 WWW.STRESSCONINDUSTRIES.COM



BB 33" x 48"

39" x 48" BOX BEAM

(* USE 6" FOR SPREAD BOX BEAMS.



STRESS-CON INDUSTRIES, INC.

MAIN OFFICE:

50500 DESIGN LANE

SHELBY TOWNSHIP, MI 48315

TEL: (586) 731-1628

FAX: (586) 731-7007

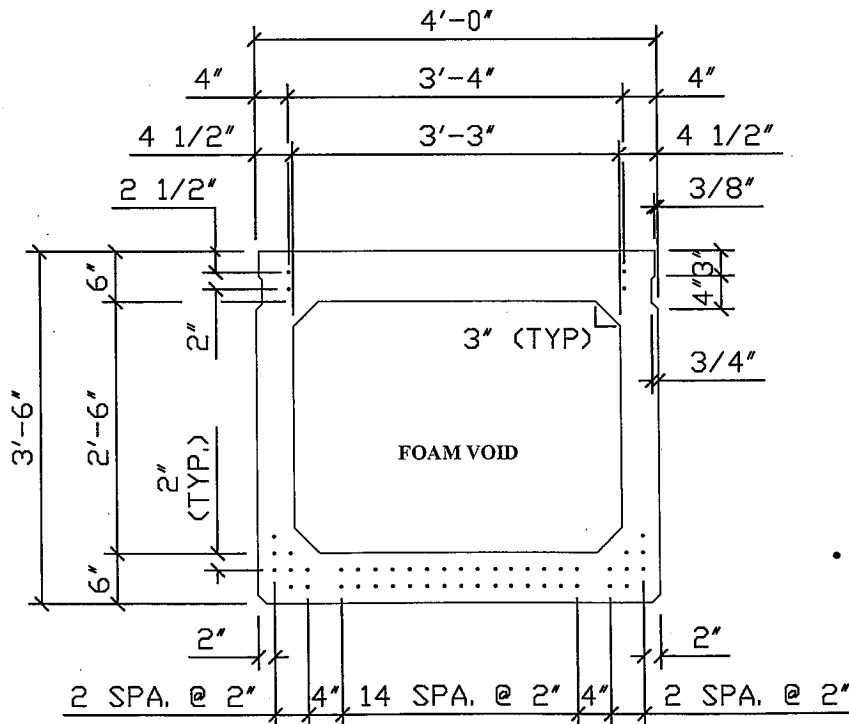
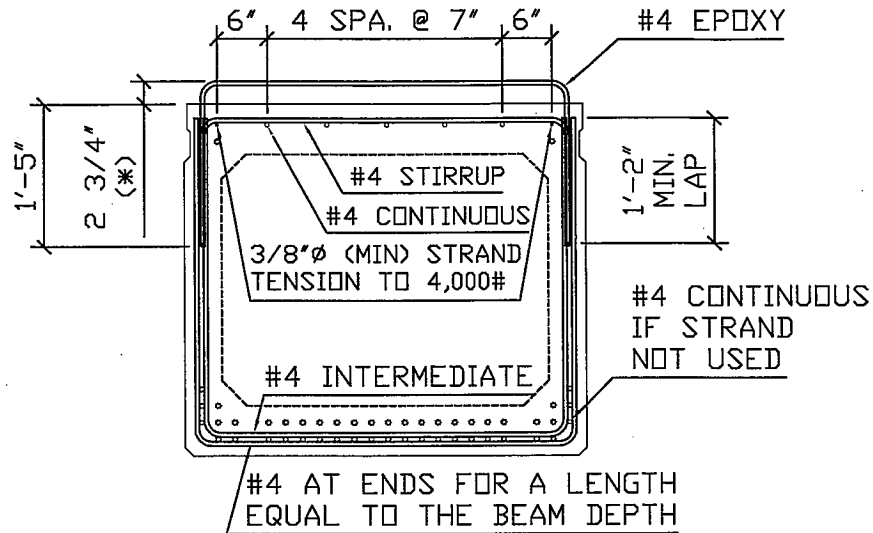
WWW.STRESSCONINDUSTRIES.COM



BB 39" x 48"

42" x 48" BOX BEAM

(*) USE 6" FOR SPREAD BOX BEAMS.



ELIMINATE KEYWAY FASCIA SIDE OF FASCIA BEAMS.

ELIMINATE KEYWAY BOTH SIDES FOR SPREAD BOX BEAMS.

• POSSIBLE STRAND LOCATIONS DEPENDING ON DESIGN

STRESS-CON INDUSTRIES, INC.

MAIN OFFICE:

50500 DESIGN LANE

SHELBY TOWNSHIP, MI 48315

TEL: (586) 731-1628

FAX: (586) 731-7007

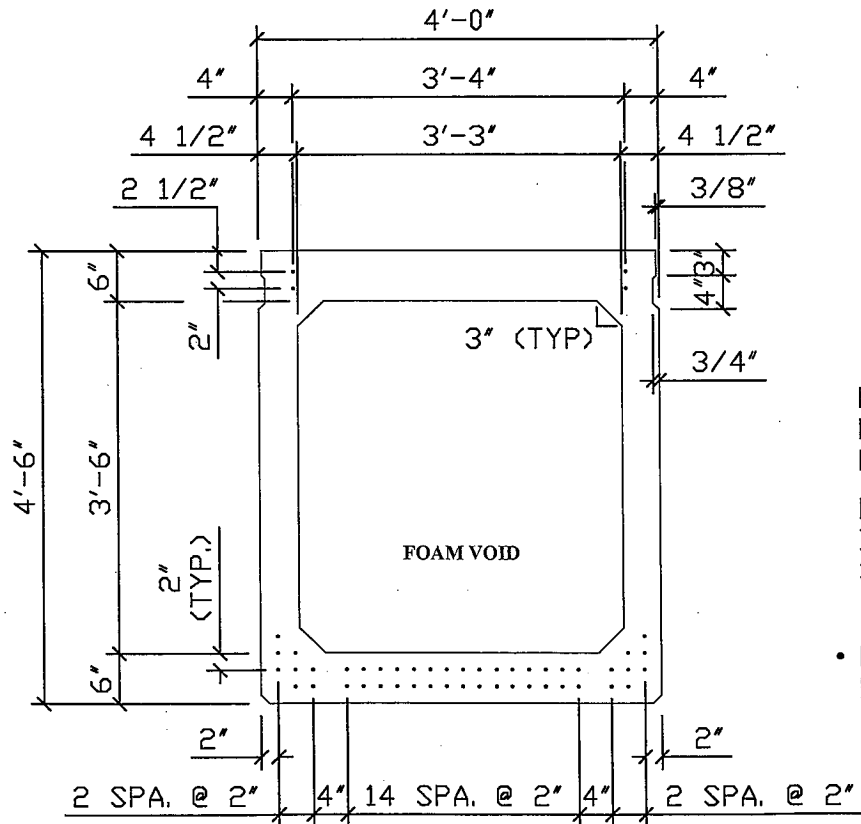
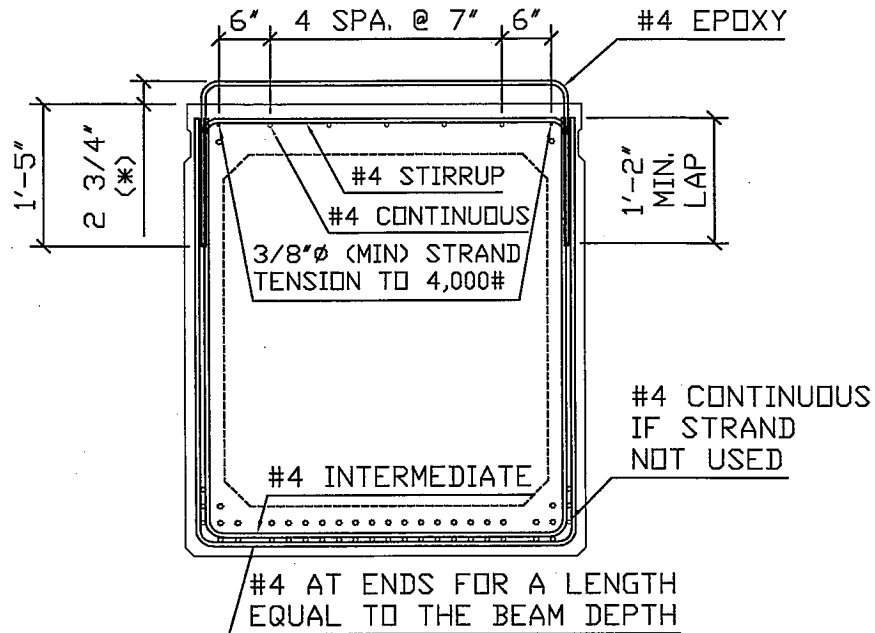
WWW.STRESSCONINDUSTRIES.COM



BB 42" x 48"

54" x 48" BOX BEAM

(* USE 6" FOR SPREAD BOX BEAMS.



ELIMINATE KEYWAY FASCIA SIDE OF FASCIA BEAMS.

ELIMINATE KEYWAY BOTH SIDES FOR SPREAD BOX BEAMS.

• POSSIBLE STRAND LOCATIONS DEPENDING ON DESIGN

STRESS-CON INDUSTRIES, INC.

MAIN OFFICE:
50500 DESIGN LANE
SHELBY TOWNSHIP, MI 48315

TEL: (586) 731-1628
FAX: (586) 731-7007

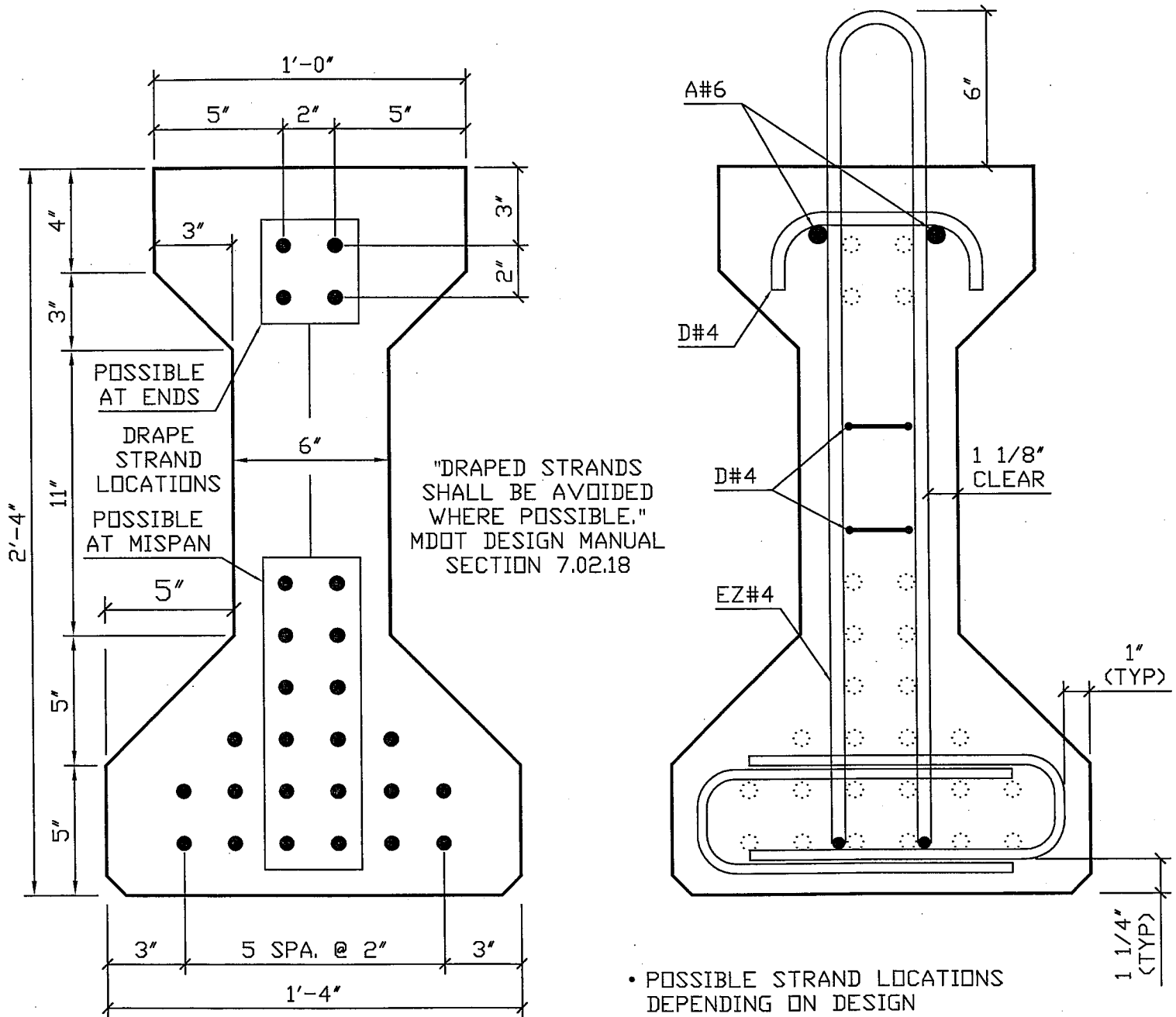
WWW.STRESSCONINDUSTRIES.COM



BB 54" x 48"

AASHTO TYPE I 28" I-BEAM

DEPTH (In)	AREA (In ²)	WEIGHT (lb/ft)	I (In ⁴)	ST (In ³)	SB (In ³)
28"	276	288	22,800	1,475	1,805



STRESS-CON INDUSTRIES, INC.

MAIN OFFICE:

50500 DESIGN LANE

SHELBY TOWNSHIP, MI 48315

TEL: (586) 731-1628

FAX: (586) 731-7007

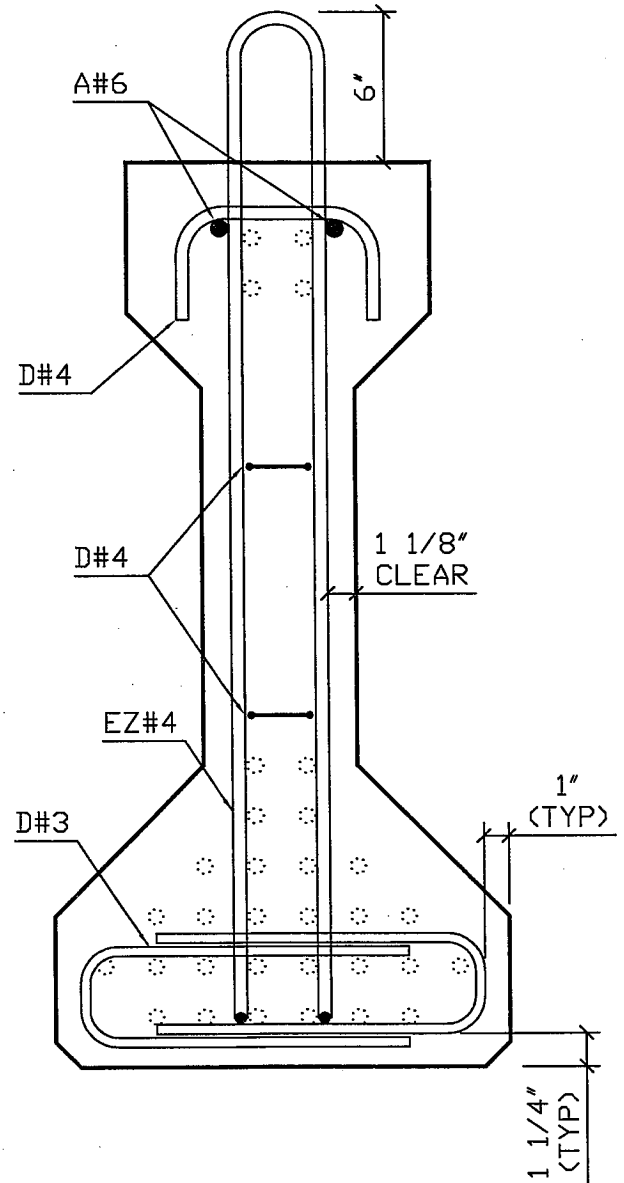
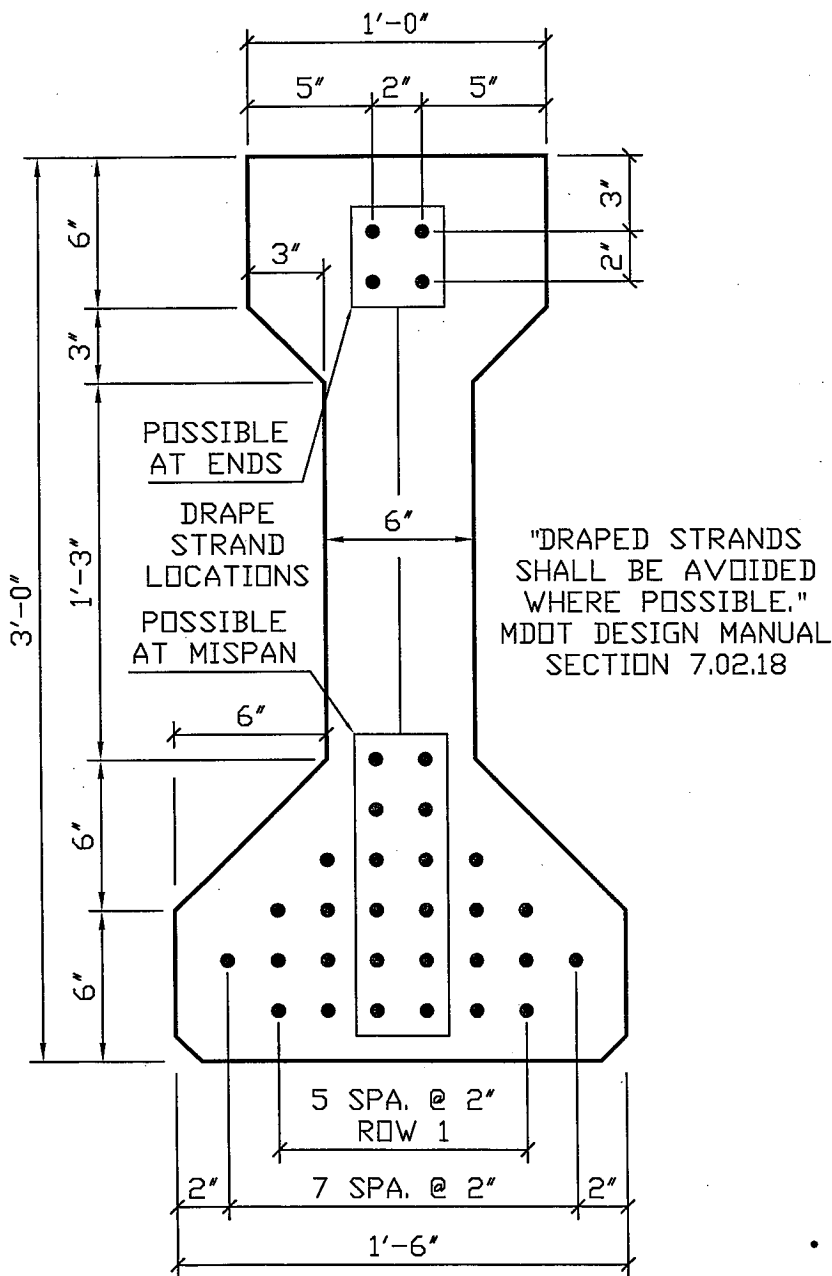
WWW.STRESSCONINDUSTRIES.COM



IB TYPE I

AASHTO TYPE II 36" I-BEAM

DEPTH (In)	AREA (In ²)	WEIGHT (lb/ft)	I (In ⁴)	ST (In ³)	SB (In ³)
36"	369	384	51,000	2,530	3,220



• POSSIBLE STRAND LOCATIONS
DEPENDING ON DESIGN

STRESS-CON INDUSTRIES, INC.

MAIN OFFICE:

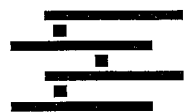
50500 DESIGN LANE

SHELBY TOWNSHIP, MI 48315

TEL: (586) 731-1628

FAX: (586) 731-7007

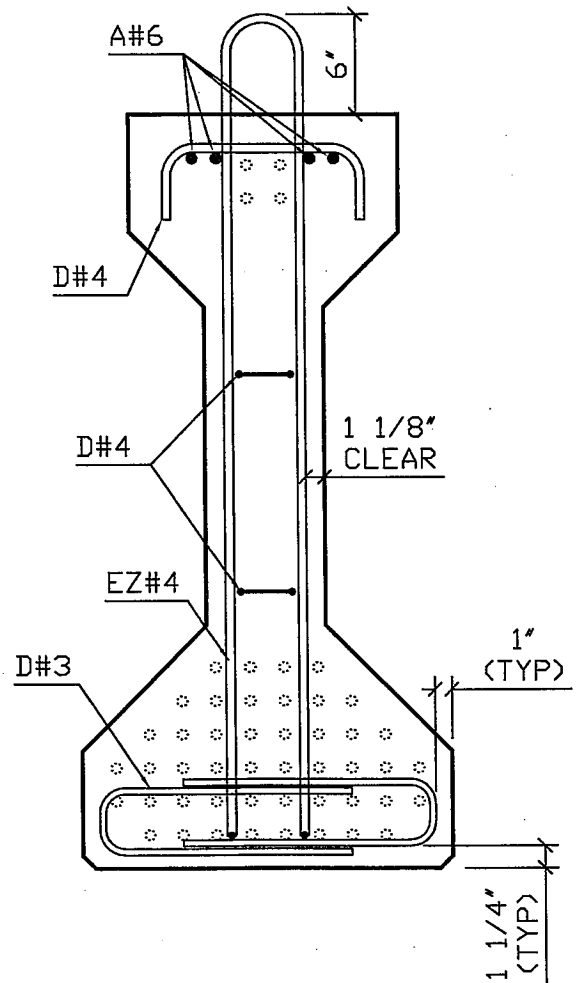
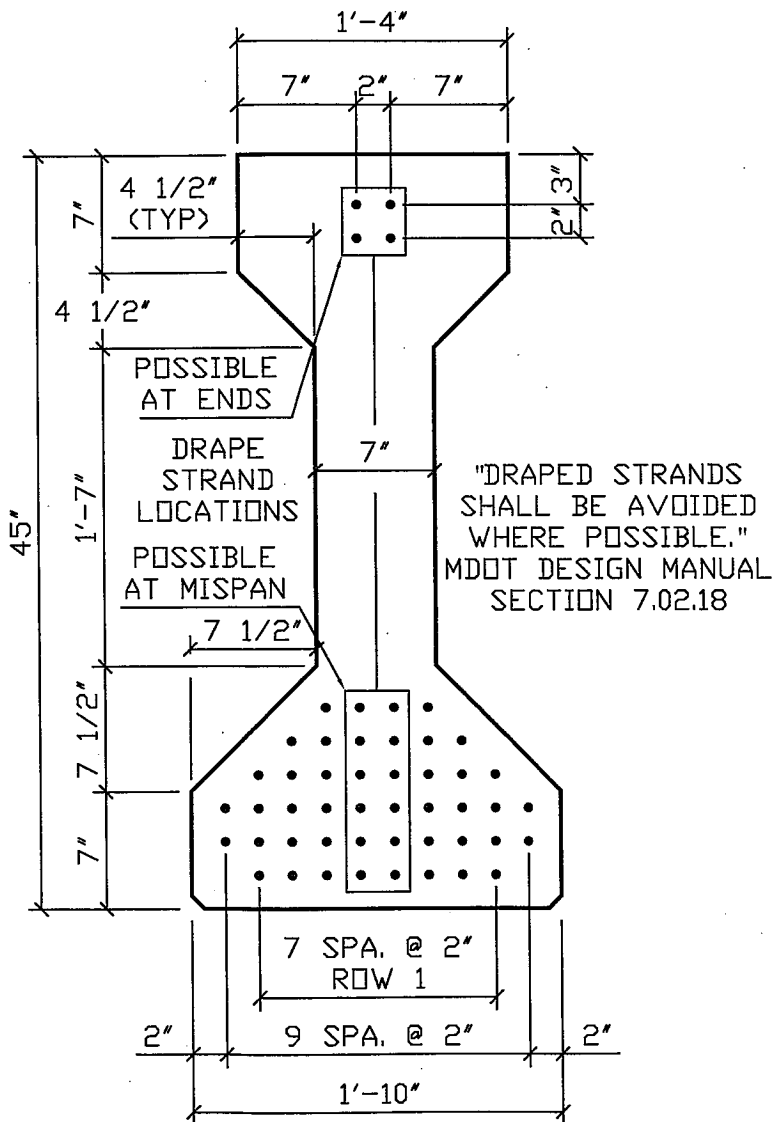
WWW.STRESSCONINDUSTRIES.COM



IB TYPE II

AASHTO TYPE III 45" I-BEAM

DEPTH (In)	AREA (In ²)	WEIGHT (lb/ft)	I (In ⁴)	ST (In ³)	SB (In ³)
45"	560	583	125,000	5,070	6,190



• POSSIBLE STRAND LOCATIONS DEPENDING ON DESIGN

STRESS-CON INDUSTRIES, INC.

MAIN OFFICE:

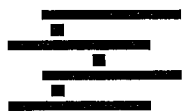
50500 DESIGN LANE

SHELBY TOWNSHIP, MI 48315

TEL: (586) 731-1628

FAX: (586) 731-7007

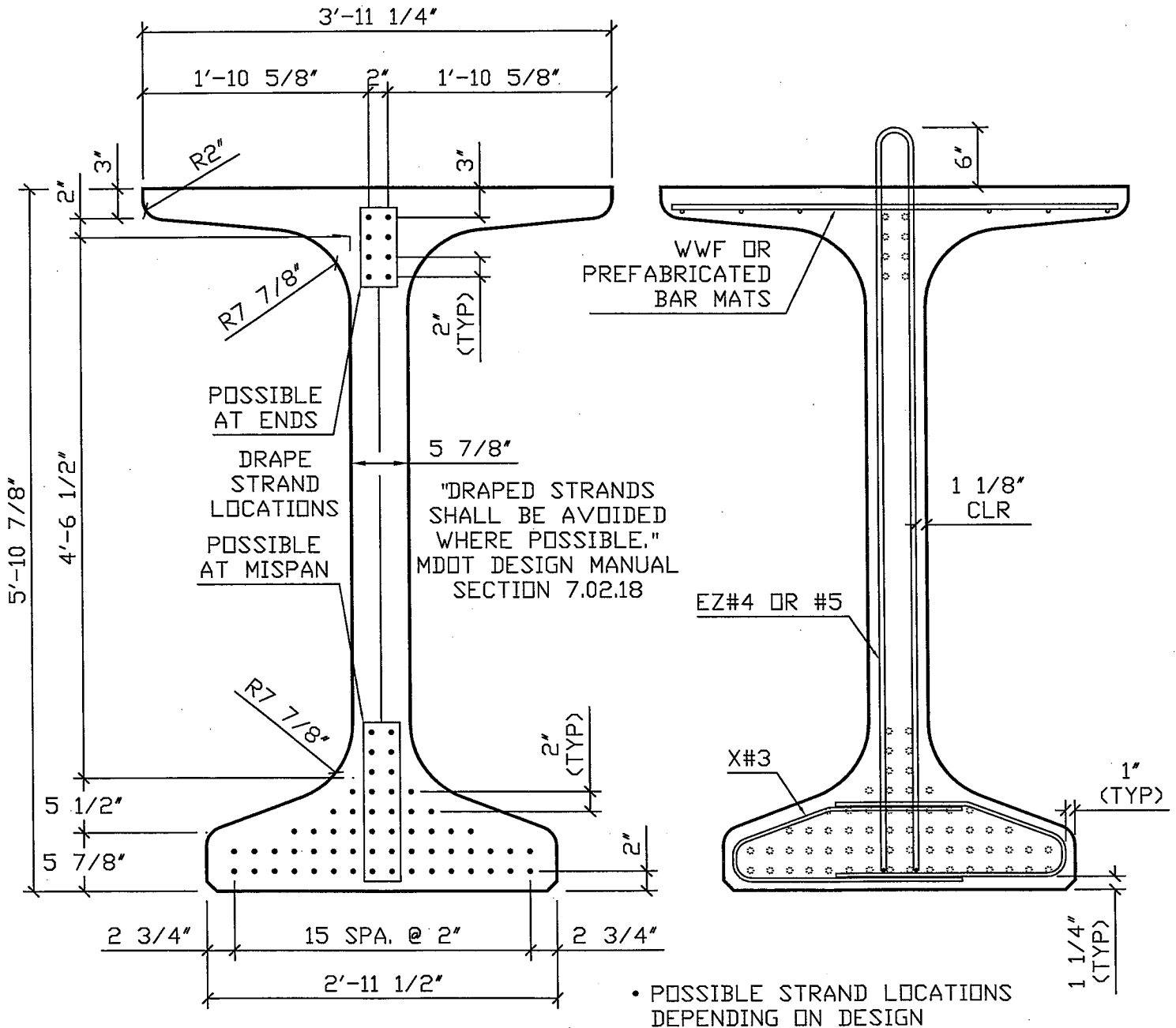
WWW.STRESSCONINDUSTRIES.COM



IB TYPE III

MICHIGAN 1800 GIRDER

DEPTH (In)	AREA (In ²)	WEIGHT (lb/ft)	I (In ⁴)	ST (In ³)	SB (In ³)
70 7/8"	875	910	624,700	16,600	18,800



• POSSIBLE STRAND LOCATIONS
DEPENDING ON DESIGN

STRESS-CON INDUSTRIES, INC.

MAIN OFFICE:

50500 DESIGN LANE

SHELBY TOWNSHIP, MI 48315

WWW.STRESSCONINDUSTRIES.COM

TEL: (586) 731-1628

FAX: (586) 731-7007



IB 1800mm