

PROVIDE FOAM BACKER ROD
w/ CAULK SEALANT
TYPICAL BOTH SIDES ALL JOINTS

1 TYP. PANEL TO PANEL CONN. @ CORNERS
E-3

STRESS-CON

INDUSTRIES, INC.

MAIN OFFICE:

50500 DESIGN LANE

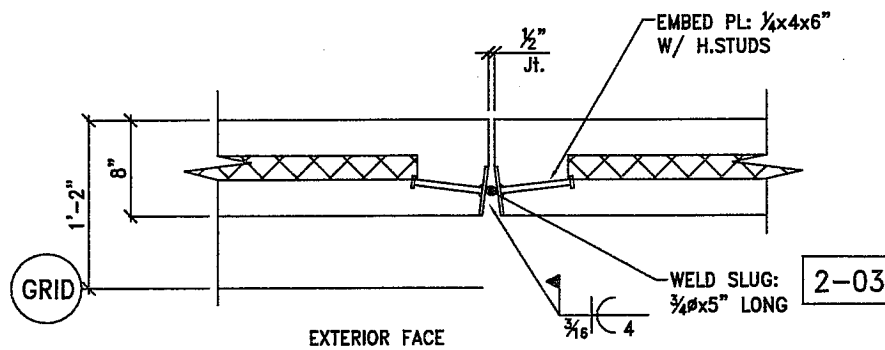
SHELBY TOWNSHIP, MI 48315

TEL: (586) 731-1628

FAX: (586) 731-7007

WWW.STRESSCONINDUSTRIES.COM

PROVIDE FOAM BACKER ROD
w/ CAULK SEALANT
TYPICAL BOTH SIDES ALL JOINTS



2 TYP. PANEL TO PANEL CONNECTION
E-3

STRESS-CON INDUSTRIES, INC.

MAIN OFFICE:

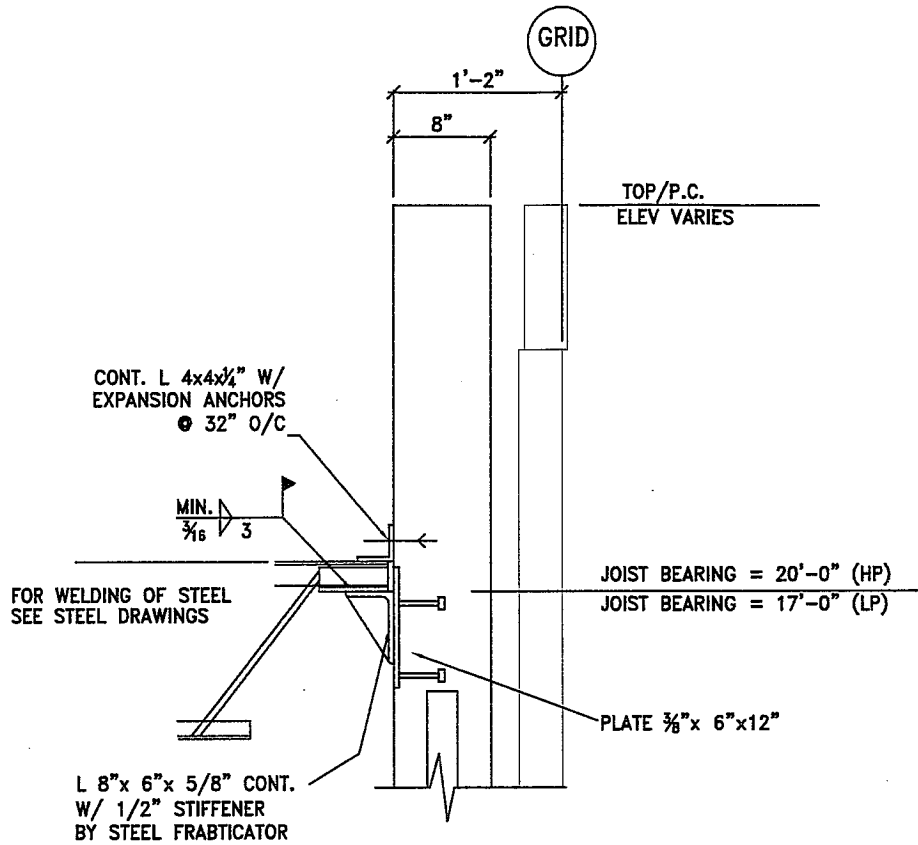
50500 DESIGN LANE

SHELBY TOWNSHIP, MI 48315

TEL: (586) 731-1628

FAX: (586) 731-7007

WWW.STRESSCONINDUSTRIES.COM



3
E-3 TYP. WALL TO JOIST/BEARING

STRESS-CON INDUSTRIES, INC.

MAIN OFFICE:

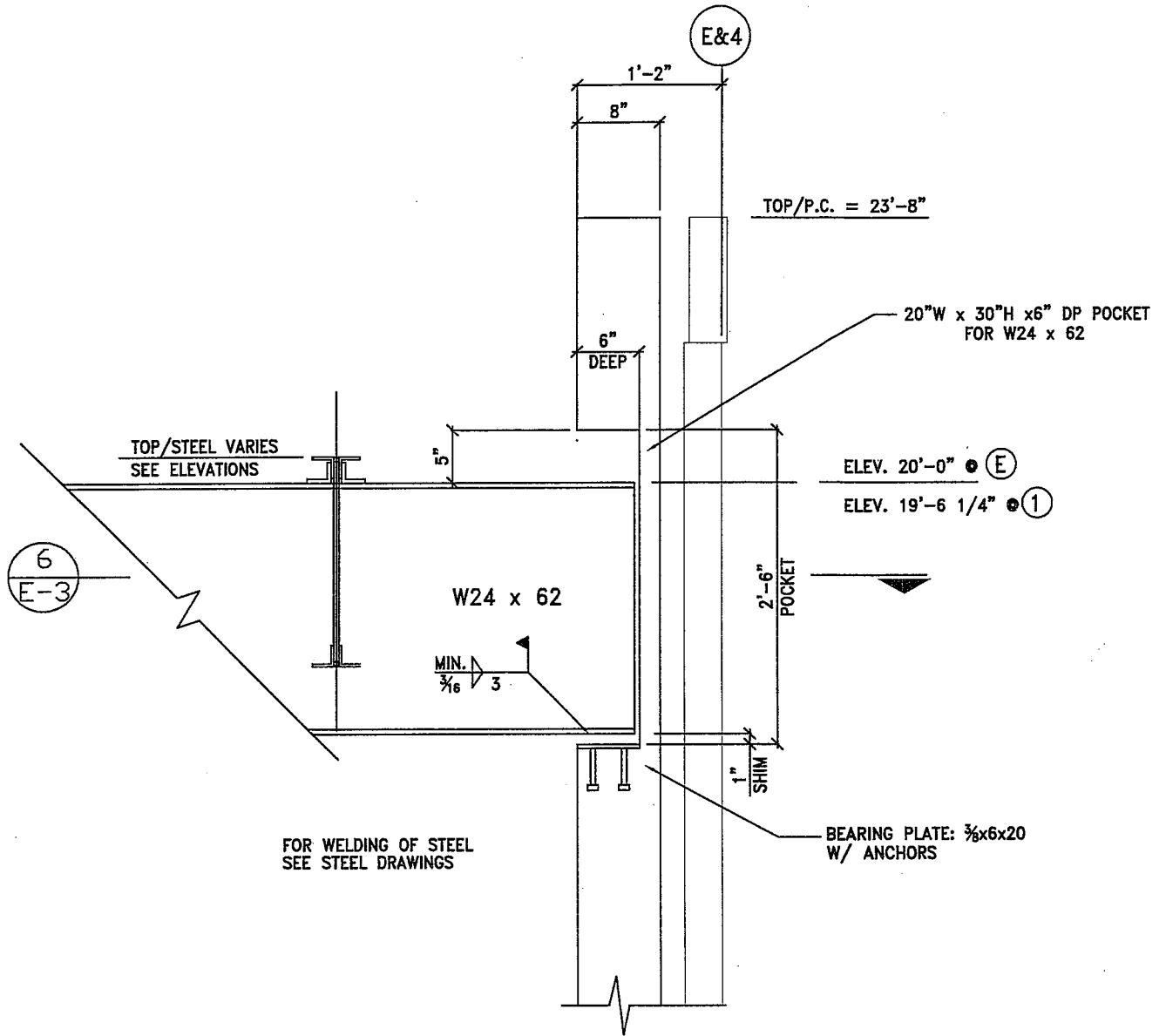
50500 DESIGN LANE

SHELBY TOWNSHIP, MI 48315

TEL: (586) 731-1628

FAX: (586) 731-7007

WWW.STRESSCONINDUSTRIES.COM



5 TYP. WALL TO JOIST GIRDER @ BEARING
 E-3

STRESS-CON

INDUSTRIES, INC.

MAIN OFFICE:

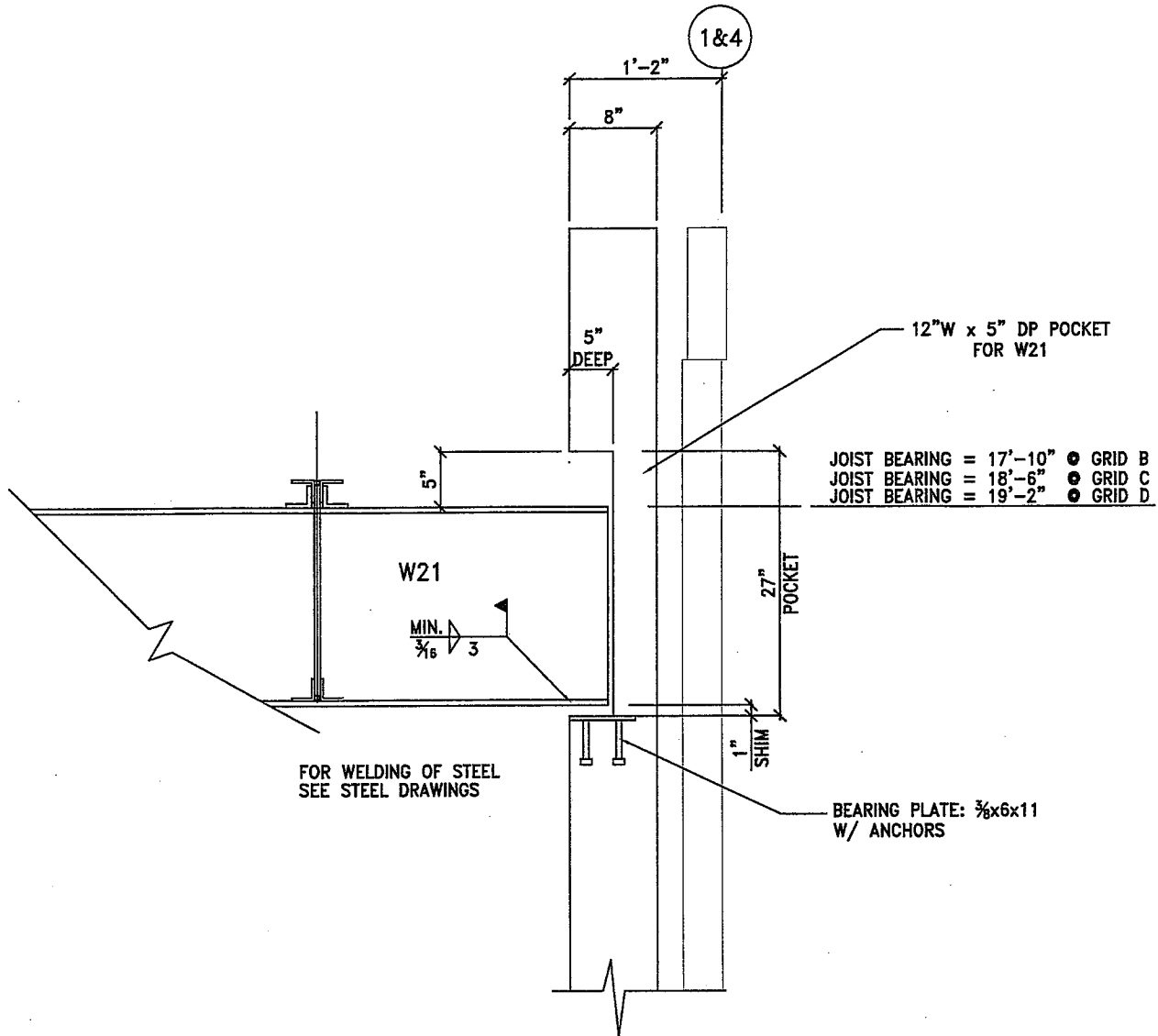
50500 DESIGN LANE

SHELBY TOWNSHIP, MI 48315

TEL: (586) 731-1628

FAX: (586) 731-7007

WWW.STRESSCONINDUSTRIES.COM



9 TYP. WALL TO JOIST GIRDER @ BEARING
E-3

STRESS-CON

INDUSTRIES, INC.

MAIN OFFICE:

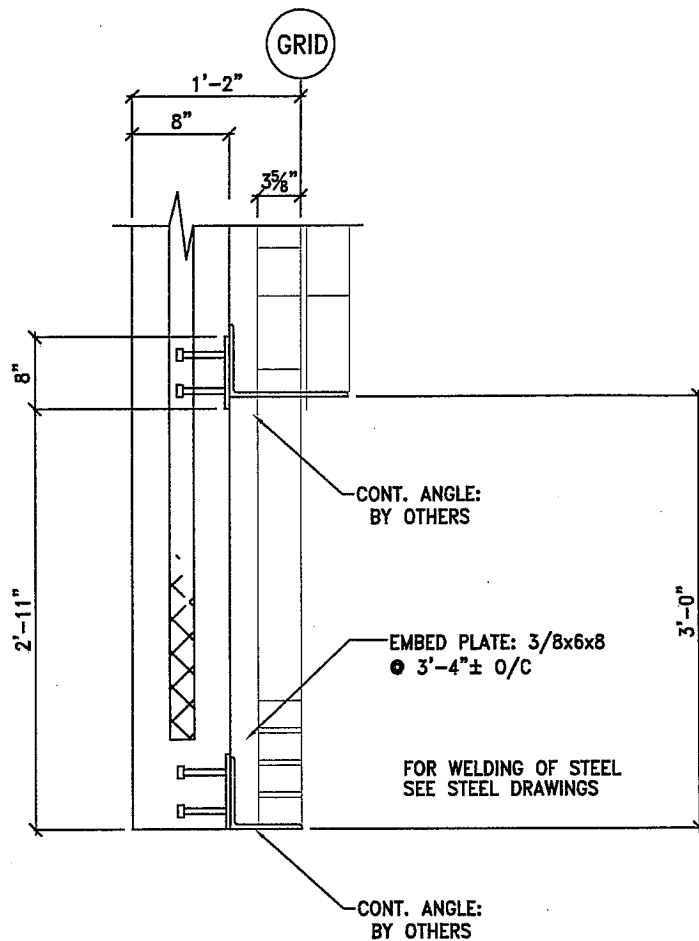
50500 DESIGN LANE

SHELBY TOWNSHIP, MI 48315

TEL: (586) 731-1628

FAX: (586) 731-7007

WWW.STRESSCONINDUSTRIES.COM



4
E-3

TYP. SUPPORT

⊙ ALL SPANDREL

STRESS-CON INDUSTRIES, INC.

MAIN OFFICE:

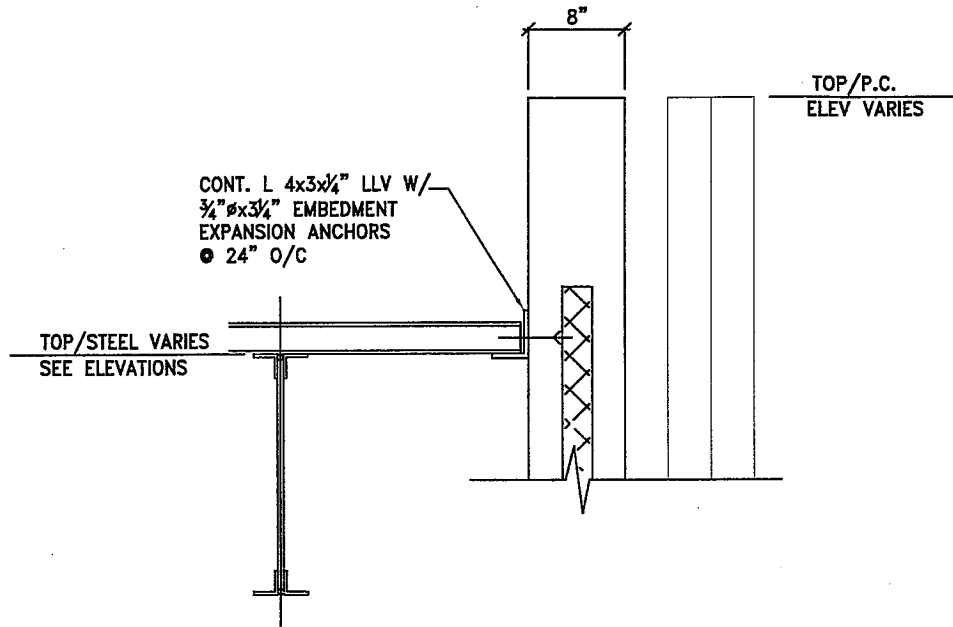
50500 DESIGN LANE

SHELBY TOWNSHIP, MI 48315

TEL: (586) 731-1628

FAX: (586) 731-7007

WWW.STRESSCONINDUSTRIES.COM



10 TYP. WALL TO JOIST/NON-BEARING
E-3

STRESS-CON INDUSTRIES, INC.

MAIN OFFICE:

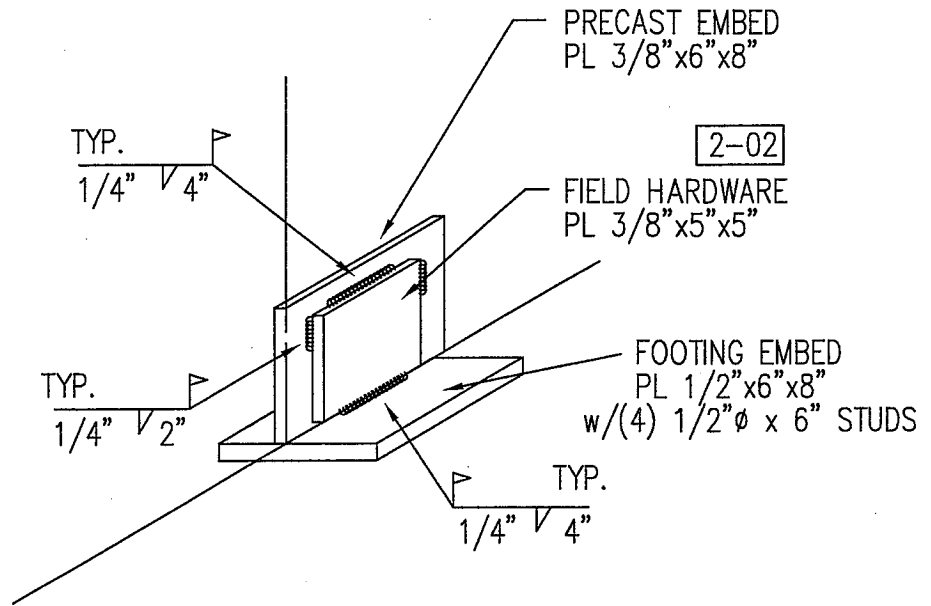
50500 DESIGN LANE

SHELBY TOWNSHIP, MI 48315

TEL: (586) 731-1628

FAX: (586) 731-7007

WWW.STRESSCONINDUSTRIES.COM



SECTION 2
E-1
 STANDARD
 SINGLE PANEL CONN.
 PANEL TO FOOTING

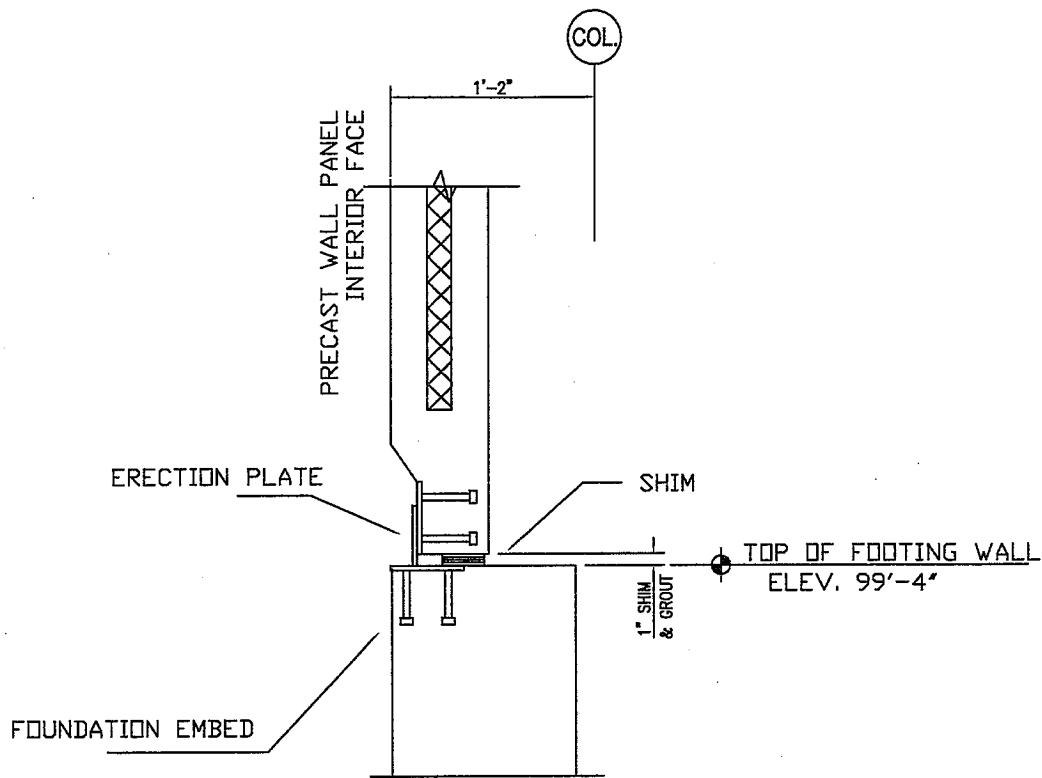
STRESS-CON INDUSTRIES, INC.



MAIN OFFICE:
50500 DESIGN LANE
SHELBY TOWNSHIP, MI 48315

TEL: (586) 731-1628
FAX: (586) 731-7007

WWW.STRESSCONINDUSTRIES.COM



TYP. CROSS SECTION
PANEL TO FOOTING

STRESS-CON INDUSTRIES, INC.



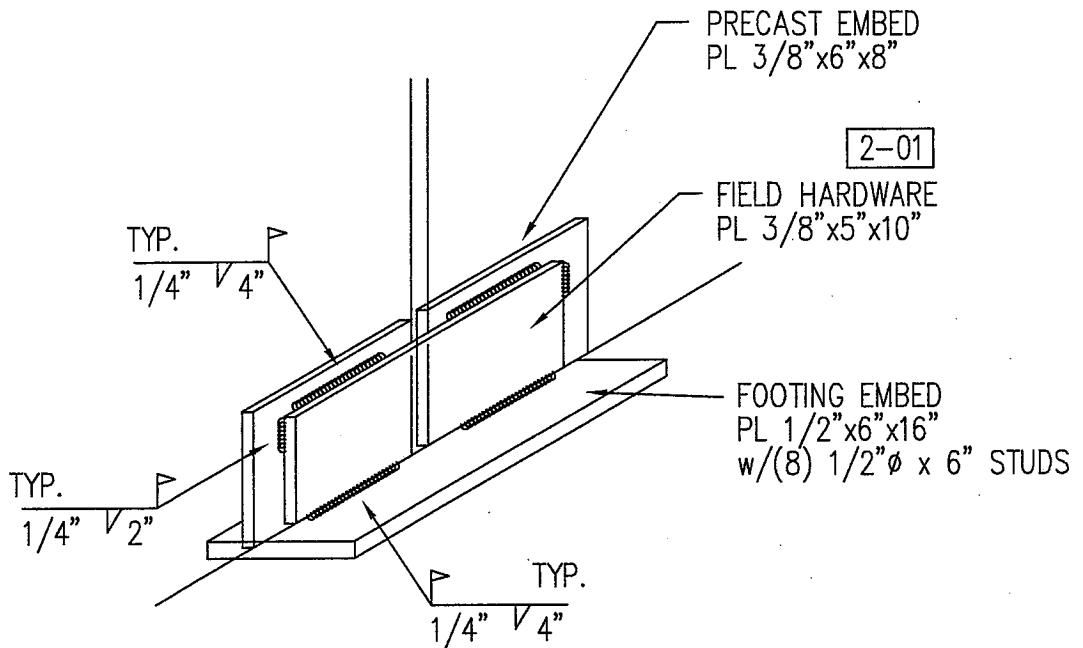
MAIN OFFICE:

**50500 DESIGN LANE
SHELBY TOWNSHIP, MI 48315**

TEL: (586) 731-1628

FAX: (586) 731-7007

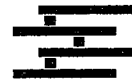
WWW.STRESSCONINDUSTRIES.COM



SECTION 1
E-1
 STANDARD
 DOUBLE PANEL CONN.
 PANEL TO FOOTING

STRESS-CON

INDUSTRIES, INC.



MAIN OFFICE:

50500 DESIGN LANE

SHELBY TOWNSHIP, MI 48315

TEL: (586) 731-1628

FAX: (586) 731-7007

WWW.STRESSCONINDUSTRIES.COM